

Framery Magazine



ISSUE 6

The Smart Pod Era

Brought to you by the
world's leading office
pod company

This is Framery

Framery is the pioneer and world's leading manufacturer of acoustic pods, phone booths and soundproof private spaces for solving noise and privacy issues in offices and other venues.

Our products make employees more productive and successful in the offices of many of the world's leading companies, including Tesla, Puma and Microsoft. In fact, around 70% of all 'Forbes Top 100' companies use Framery products. In 2023, our revenue was over 150 million euros. In the next few years our growth is projected to strongly increase.

We employ over 430 people in 18 countries, with end customers in across 89 different countries in all inhabited continents. Our headquarters is in Tampere, Finland, where around 90% of us work.

Our product family is made from durable, renewable and recyclable materials and our pods are designed to have a long lifespan. With a strong focus on research and development, as well as a firm commitment to practicing what we preach, we remain determined to find the keys to overall work-life success – in a sustainable manner.



Contents



Issue 06

PART ONE

DESIGNING THE OFFICE OF THE FUTURE

Reimagining spaces and confronting distractions through flexible design

ENVISIONING A NEW ERA OF WORK

Redefining the modern office through technology, and re-engineering the way we work

MEET THE NEW FRAMERY SMART PODS

Our new line of smart pods that have been designed to make every part of your workday easier

PRODUCT HIGHLIGHT | FRAMERY FOUR ACCESSIBLE

A fully accessible, fully equipped, and fully affordable smart pod

DESIGN STORY

The spacious Framery One Compact

INTRODUCING FRAMERY WORKPLACE TECHNOLOGY

Set up your office for success with technology that works with you

PART TWO

SUPERCCELL AND FRAMERY SMART PODS

Long-time Framery customer Supercell has grown from a small team of passionate developers to a global leader in mobile gaming

CARBON HANDPRINT STUDY

Pods that contribute to a greener future

DEDICATED TO SUSTAINABILITY

Our journey to making the world's most sustainable office pods

OUR STORY

We thought we were selling silence - but we were wrong

PART THREE

FRAMERY PRODUCTS

From one person pods to full-sized meeting rooms

MATERIALS AND SUSTAINABILITY

Design and durability that's measured in decades

PRODUCT SAFETY

Parameters that meet or exceed global standards



PART ONE

Designing the Office of the Future



Office design is on path towards transformation. With evolving needs of modern work, and shifting attitudes towards the Return to Office trend, offices will continue to change and adapt to the needs of the worker. Here's a look at what factors will affect workplaces of the future – all around the world.

Back to basics

The idea of a supportive office will shift towards the core needs of the workers. And investing in the basic elements has the most impact. Modern offices need spaces that echo the comfort and functionality of home offices – spaces that employees actually want to return to.

Now, more than ever, essentials are central to modern office work. Employees demand well-thought-out spaces that cater to concentrated work. These are no longer mere amenities – they are essential tools that enable productivity and well-being.

Distractions are everywhere

Distractions will become more burdensome to workers than ever. Offices can no longer leave it to the employees to solve their privacy problems. Infrastructure must shift to better accommodate workers. To affect change, offices must move the focus from the individual to the infrastructures within which they operate. This includes the physical structures of the workspace.

The office of the future must be an ally in the war against distractions, not a battleground. The goal is to create spaces that support concentration rather than disrupt it. This is especially important for neurodivergent individuals who may face more challenges with attention management.

Flexibility is key

Flexible arrangements promote productivity. To survive, offices need to become destination offices, or office magnets. Places that employees are drawn to not out of obligation, but out of a genuine desire to work within

the four walls and meet their colleagues. A destination that is worth the commute and the convenience of the home office.

They require spaces that are able to adapt to the needs of in-person work – as well as sessions with remote colleagues or clients. And they must address the need for both privacy and social connection.

Focus spaces are crucial

Offices need to begin providing more spaces for focused work. Office design must include areas that mitigate distractions. As tasks become increasingly complex, the need for environments that cater to high concentration and minimization of distractions becomes evident.

Spaces where distractions are minimized and people get work done are a key factor for the office – not just a nice bonus. A workspace that does not support focused work, is an "obstructor" workspace. If a workspace doesn't support focused working, it won't matter how brilliant the other spaces are.

Make them an office they can't refuse

The office is not merely a physical place – it's a constantly evolving ecosystem. And offices need to begin to be seen as an equal part of the team. That means flexible, available spaces where people can focus on the things that actually matter. And turn the office into a place for people to get things done.

RETHINKING THE MODERN OFFICE

Envisioning a new era of work

It all started in 2018 with the vision for Framery One – the world's first connected soundproof pod designed first and foremost for video calls. Launched in 2021, Framery One became a go-to private space to join a video conference, as virtual meetings rose exponentially across the globe due to the pandemic.





The workplace evolution didn't stop when the pandemic ended.

Offices everywhere have been profoundly impacted by the rise of remote work, extensive digital integration, and a shift towards more flexible working environments. The autonomy and comfort gained through hybrid working has been matched by a growing desire for autonomy and comfort in office settings as well.

"These global challenges have accelerated workplace evolution. Offices everywhere are filled with hybrid teams, and workdays are filled with virtual meetings. This reflects a fundamental shift in our perception of work, and has sparked a demand for convenient and comfortable professional settings to compete with those of the home office" says Samu Hällfors, Framery CEO.

Engineering a smarter office

This shifting landscape of working life gave us an opportunity to reevaluate the way we think about and design our products – and how we can use technology to improve how offices work. The increased complexities of office life require a smarter approach to office design. And a smarter approach to creating spaces that people use to navigate their workday.

Learn all about our smart pods and office solutions

frameryacoustics.com

We imagined an office where spaces designed to support a hybrid workforce were always available and easy to book. Filled with private spaces engineered for any type of work, and environments that adapt to the needs and preferences of any user. With every space connected to the cloud, and every person connected to each other.

Accomplishing this vision not only meant developing new pods – it meant developing new technologies to coordinate these pods into the workplace. But integrating technology only works if it improves life for the people who use it. So we did our research, built our infrastructure, and created new technology that actually helps improve the office, and improve the way people work.

Building a smarter office pod

With Framery One as a benchmark, we set out to explore ways to build and combine new technologies into our products – without sacrificing quality or comfort.

“A smart pod should combine privacy with excellent acoustics and ventilation, inviting design elements, and advanced technology to allow ease of work both inside and outside of the pod.”

TIMO INKINEN
HEAD OF PRODUCT



A-CLASS SOUNDPROOFING

30dB

Guaranteed privacy with fine-tuned Class A speech level reduction and the industry's top rating for office phone booths

MEDIAN AUTOMATED AIRFLOW

60 sec

Air inside the pod is fully renewed every 60 seconds

MATERIAL RECYCLABILITY

100%

Smart pods have 100%* end of life recyclability

*Framery One 95%

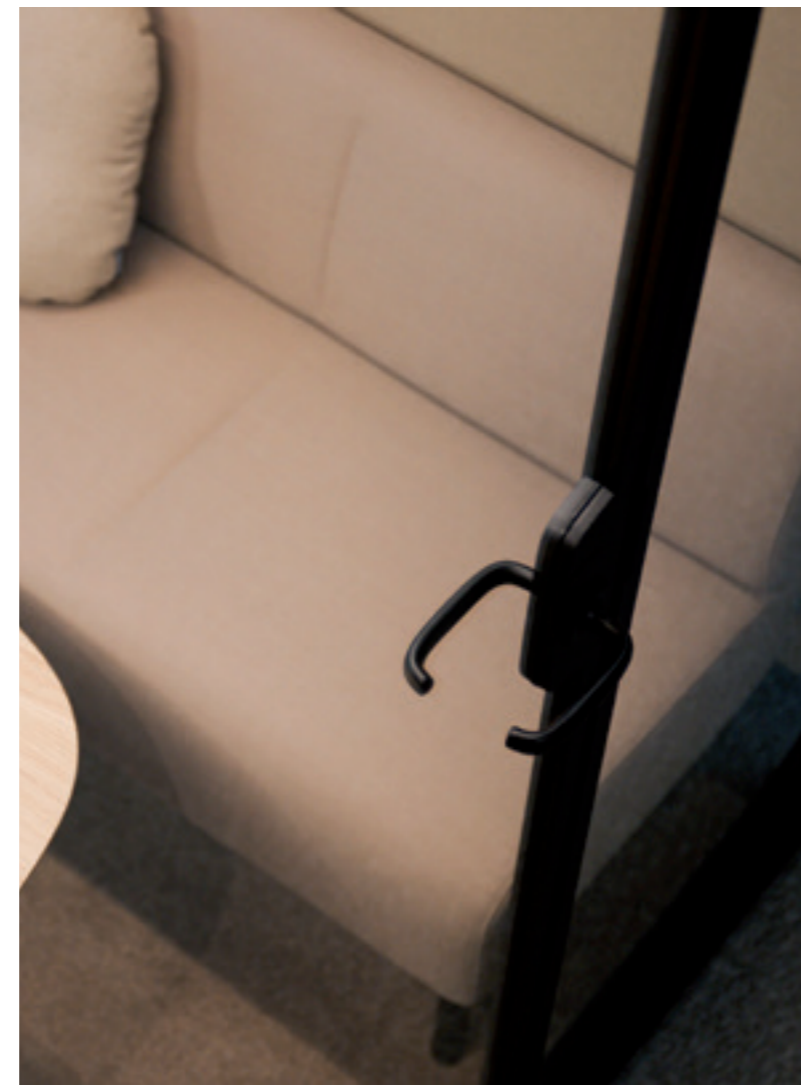


"Capturing real-time, accurate data from the office is the first step in understanding how to tailor the workspace to the true needs of employees."

ARTO VAHVANEN
HEAD OF DIGITAL OFFERINGS &
CUSTOMER EXPERIENCE

Developing a smart office operating system

The new user-focused features of our smart pods support a culture of hybrid work – making it easier than ever to get things done at the office. In addition to calendar integration and advanced bookability capabilities, these pods contain integrated technologies that produce real-time data about when they are used, and when they sit empty.



The challenge was to create a balance between classic Framery engineering, sustainable materials and manufacturing processes, and new advanced features and functionalities that support modern work.

The new smart pods needed to include the core features of all of our products – A-Class soundproofing, industry leading ventilation speeds, and video-optimized lighting. And the design standards that define Framery, like ergonomic furniture and an array of color combinations would help the pods stand out from the crowd.

The new pods would look and feel like a natural progression in Framery engineering. Our new line of smart pods feature adaptive airflow and pre-set lighting modes for virtual calls and focus work. A 4G connection enables automatic over-the-air software updates, and integrated bookability functionality.

Learning from our experience with Framery One, we developed features, such as improved presence sensing technology, adaptive ventilation, and an embedded office sound masking system, that run unnoticed in the background. And a high-resolution 8-inch touchscreen panel puts the user in control of their preferred settings.



To provide an accurate picture of the entire workplace landscape, we set out to create a way to collect usage data from any space in the office. The ability to outfit any room with a palm-sized sensor that can easily be installed to any room. This aggregated usage data from the smart pods and the sensors creates an overview of the space usage across the entire organization.

For the first time in the history of the office, facilities managers would now be able to adjust their space to help the people who use it. Using data and analytics to provide the right pods in the right places, and removing the guesswork in office design.

Pioneering the smart office ecosystem

With the infrastructure in place, our vision of a smart office ecosystem was nearly complete. Office layout could now be optimized based on behavior. Private workspaces can be made available when and where they're needed. And offices can now meet the demands of hybrid work with Framery smart pods.

The final step in creating this office ecosystem would be giving employees more control over their workday. A convenient mobile application that makes it easier than ever to find available rooms and pods in real time, reserve spaces on the go, and manage calendar bookings – all in one place.

The new user-focused features of our smart pods support a culture of hybrid work – making it easier than ever to get things done at the office.

And while room-booking applications are nothing new, Framery would be the first company to combine smart pods with digital integration and management. Resulting in a fully-integrated and connected workplace.

Welcome to the era of Framery smart pods

After more than half a decade of designing, developing, and engineering, the vision for a new smart office ecosystem is complete. Framery smart pods and office solutions are here, and ready to improve offices, and the lives of working people, everywhere.

We have made it our mission to empower and enable workers to achieve their best. And we are committed to ensuring that our new line of products are offered at an affordable price point. This commitment serves to democratize the workplace, making it inclusive and accessible to workers and offices globally.

Workplaces everywhere can now adapt to the ever-changing needs of how people work. Offices can grow and adjust to the people who work there. And companies can provide supportive resources, and continue to develop their infrastructure in a sustainable and cost-effective way.

From revolutionizing office design to engineering innovative technologies, Framery is redefining the workplace one workday at a time. Now, and well into the future.



REVOLUTIONIZE YOUR WORKPLACE

Meet the new Framery smart pods

Our new line of smart pods have been designed to make every part of your workday easier — from effortlessly locating and reserving pods to maximizing productivity throughout your day.



A suite of cutting-edge technology and software allow our new smart pods to sense and respond to environmental conditions, provide behavioral data for optimizing office layouts, and stay connected to every space in the workplace with advanced bookability functionalities.

With an integrated 4G connection, the pods can receive over-the-air software upgrades to integrate new features into the future.

Made from steel, aluminum and glass, these new smart pods improve upon the world-class soundproofing, industry-leading ventilation, and captivating design that have established Framery pods the global benchmark in quality and innovation.

Innovation in action

We strived to create a family of products with never-before-seen capabilities. Based on the success of Framery One, the design team worked to create pods for teams and larger groups of people. The result is an entire family of pods that feature innovative and proprietary technology, combined together in a sleek and sophisticated package.

The integrated technology merges sophisticated hardware with newly developed software, enhancing functionality and capabilities across the entire range of smart pods – and the offices they inhabit.

mmWave Radar detection

Millimeter-wave radar sensors immediately detect when someone enters or leaves the pod, allowing lighting and ventilation to adjust accordingly.

The Framery Office Sound Masking System™

Embedded sound masking uses a proprietary sound spectrum to reduce speech intelligibility and noise distractions in areas outside of the pods.

Fine-tuned soundproofing

A patent-pending acoustic structure tuned to human speech frequency provides A-class soundproofing with minimal material.

Automated reservations

Create a reservation in the pod simply by stepping inside – and extend your booking with a single touch.

Adaptive airflow

Proprietary design lets you choose between direct or indirect airflow and adjust the ventilation to your comfort.

Advanced ventilation technology

Sensors inside the pod recognize the temperature and humidity of the office environment, and automatically optimize the airflow accordingly.

Real-time usage data

Real-time usage data is collected by the pod to make it easy for office managers to see when the pods are being used, and enables on-the-fly booking.

Intuitive user experience

An 8-inch, high-resolution touchscreen makes it easy to control pod settings, adjust lighting and airflow, and extend calendar reservations.

Automatic upgrades

A built-in 4G connection enables automatic upgrades and over-the-air software updates with or without a Wi-Fi connection.

Occupancy indication

Lights on the exterior of the pod let you see from a distance whether the pod is free, booked, or about to become available.

The Framery app

Make every pod and space in your office easy to find and book through the Framery app – in advance or on the go.

Acoustic ventilation channels

Incoming air is routed through acoustically optimized ventilation channels to improve soundproofing and reduce noise transference.

Optimized lighting

Automated lighting with two preset lighting modes ideally adjusted for in-person work or video calls.

Sustainable engineering

Designed and built sustainably, the new smart pods use less materials, favoring aluminum and steel over wood. The result is a pod that is 25% lighter, making them easier to ship, build, and move.



Building on our past

Our new smart, soundproof workspaces don't compromise. Like the Framery pods before them, they are a blend of style, functionality, and sustainability – all enhanced by new technology. This approach has allowed us to use our past experiences to build pods for the future.

Framery design DNA

These modern office pods feature a timeless design approach – with clean lines, spacious interiors, and a polished finish.

User-focused

The broad glass surfaces and minimalistic frames increase the feeling of spaciousness inside the pod, and ergonomic furniture provides comfort for every user.

Extended lifecycle

A new modular, more durable design, and replaceable elements, means the smart pods have a longer

lifespan. And recycling at the end of the pod's lifecycle is even easier due to the materials used.

Safety certification

All of Framery's smart pods have gone through a rigorous certification and compliance programs for fire, electrical and seismic safety.

A pod for every office

We aim to make offices better for people all around the world. Despite incorporating advanced technology, our products remain competitively priced and affordable for offices everywhere. In addition to being the most advanced soundproof office pods in the world, our innovative smart pods are sustainable, cost-effective, and designed for modern work.

Welcome to the future of office design with Framery smart pods and Framery workplace technology.

Creating equitable workplaces through fully-accessible private spaces

In today's diverse work environment, inclusivity and accessibility are paramount. Framery Four Accessible is setting new standards by combining the sophisticated engineering of Framery smart pods with features that cater to every person in every office. Providing equal access to private spaces showcases an organization's dedication to diversity and inclusion - promoting a culture where all employees feel respected and valued.

Designed according to ADA standards, Framery Four Accessible combines the sophisticated engineering of Framery smart pods with accommodating features to improve usability even further. And provide an accessible and equitable private space to focus, relax, or conduct meetings without distraction.

Framery Four Accessible

Framery Four Accessible has inclusive features that maximize accessibility and usability. By incorporating universal design principles, Framery Four promotes a more inclusive and efficient work environment for the entire workforce.

The pod's low threshold and door opening ratio of 180° make it easy for individuals using wheelchairs or other mobility aids to access the space comfortably. Specially-engineered furniture folds away to provide an ample T-shaped turning space - making it easy for users to maneuver inside the pod.

A pull bar provides easy access to opening and closing the door from a wheelchair. And an easy-to-reach accessory rail provides easy access to the pod's touchscreen and power outlets, ensuring that all employees can use the pod's features without difficulty - and creating an equitable private space for every user.

A fully-accessible Framery smart pod

The universal design of Framery Four Accessible ensures that the workspace is functional and accessible for everyone - not just those with disabilities. Containing the same technology of every Framery smart pod, Framery Four Accessible creates an optimal environment for focused work



and hybrid meetings - providing video-optimized lighting, powerful adaptive ventilation, and A-Class soundproofing. The pod's interior layout is optimized for face-to-face interactions, furnished with a sturdy table and comfortable twin seats that fold up to accommodate wheelchair access. This design supports better meetings and collaborative work, making Framery Four Accessible an ideal choice for hybrid work environments.

And with advanced bookability, responsive working environments, and full-scale connectivity, Framery Four Accessible features all of the smart capabilities of every Framery smart pod.

Privacy for all

Our mission was to create a fully accessible smart office meeting pod that ensures that all employees can perform their tasks effectively, without barriers. The inclusive design of Framery Four Accessible allows everyone to benefit from the advanced capability of Framery smart pods - and provides equitable access to private spaces.

Framery Four Accessible is a step forward in office design - and a commitment to fostering a more equitable and productive work environment. With its thoughtful features and cutting-edge technology, this smart pod embodies the future of workspaces, where innovation and inclusivity go hand in hand, creating a truly supportive and inspiring atmosphere for all.



DESIGN STORY

The spacious Framery One Compact



The need for adaptable, high-quality, and sustainable office solutions has never been more critical. And Framery One Compact responds to these demands with its sleek design, unbeatable user experience, and advanced technology - while costing less than its predecessor Framery O.



Discover more about
Framery One Compact
on our website

Framery One Compact is smart, spacious, sustainable, high-quality, and affordable for businesses of all sizes. Through thoughtful design and innovation, Framery One Compact represents the subtle elegance and functionality that define Framery design.

A conscious effort was made to balance the need for a comfortable workspace with the demand for compactness. "We envisioned an innovative and spacious smart pod with greater user benefits and improved sustainability - while being more cost-effective than the model it replaces," says Henrik Ashorn, Product Manager for Framery One Compact.

Despite its lightweight structure and modest external dimensions, the Framery One Compact provides an unexpectedly spacious and comfortable interior environment - maximizing utility within a minimal 1m² footprint. As a result of improvements to the engineering process of the new Framery smart pods, Framery One Compact costs less than earlier generations of phone booths. This affordable pricing strategy ensures that companies of all sizes can benefit from this advanced office pod.

Framery One Compact is built to last with 100% end of life recyclability - containing 100% certified wood as well as recycled steel, aluminum, glass, and fabric. The lightweight structure, sophisticated engineering, and efficient use of materials make it an environmentally conscious choice.

Through recycled steel and aluminum, and 23% less total material, Framery One Compact is significantly lighter than earlier designs - making it easier to build, easier to ship, and easier to install. And because of its modular design and easily replaceable parts, the pod will last decades.

The outcome is an office pod that can provide its users with a comfortable, high-quality, and productive workspace for years to come.

SET YOUR OFFICE UP FOR SUCCESS

Workplace technology that changes how your office operates

Framery's workplace technology suite is a collection of physical and digital services that streamlines workdays, elevates productivity and enhances the entire workplace experience. These new tools allow you to access real-time occupancy data, facilitate data-driven decisions, reserve meeting spaces on the go, and enhance focus, privacy, and productivity throughout the office.



Set up your workplace for the people who use it – making it easier than ever to get work done. And you can enjoy these benefits without any additional deployment costs.

Framery Connect™

Use occupancy data to improve workspace efficiency. See which spaces are utilized, need attention, or go unused. Make data-driven decisions with real-time insights to optimize your office layout.

Framery Connect Sensor™

This compact sensor enhances Framery Connect by gathering usage data from any space in your workplace. Easily attach it to meeting rooms or collaborative areas to get a complete overview of how each space is utilized, with simple wireless connectivity for seamless data collection.

Framery App™

Manage your day with the Framery app – the easiest way to book pods and meeting spaces. Check availability instantly, save favorite spaces, and book on the go. Manage your workday all from your phone.

Framery Room Display™

The Framery room display is a booking system for all work and meeting spaces, showing real-time availability of the desired space and enabling instant on-site bookings for smooth scheduling. Integrated with work calendars, the Framery App™, and smart pods, it delivers a cohesive, synchronized office booking experience.

Framery Office Sound Masking System™

Improve workplace acoustics with Framery's sound masking system. It reduces noise distractions and protects speech privacy by adding subtle background sound, blending naturally with office noise.

Powerful support for powerful technology

Framery Plus

Unlock all the tools and features your workplace needs to thrive with our subscription based Framery Plus™ – new smart pod customers receive a complimentary 1-year subscription.

Unparalleled support

Get instant support from a Framery specialist for any issues that may arise with your smart pods or other products.

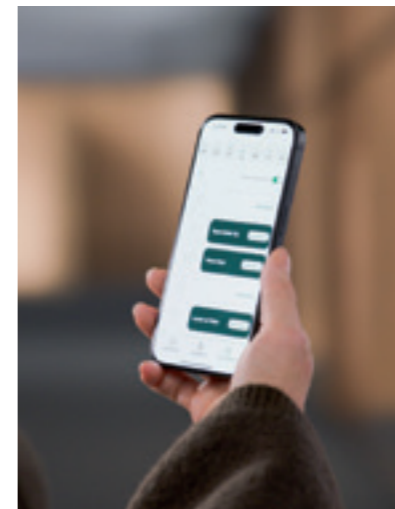
Automatic updates

Instantly receive software updates through your smart pod's 4G connection to enable developments and services into the future.

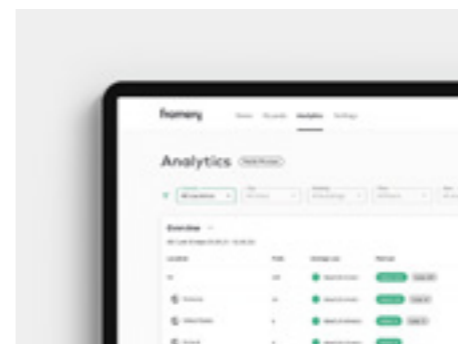
Privacy assured

No identifiable user data is collected – only workspace occupancy information is tracked.

01



02



03



04

- 01 Manage your workday on the go with the Framery app.
- 02 The Framery office sound masking system™ improves the acoustics of the entire workplace.
- 03 Make workplace management decisions based on insights from your office's occupancy data.
- 04 From meeting rooms to collaborative spaces, the sensor can easily be attached to any space in your office to give you a complete overview of how your office is used.



PART TWO

Supercell and Framery Smart Pods

As a company deeply rooted in creativity and innovation, Supercell, global leader in mobile gaming, places special emphasis on creating work environments that support and inspire the people who work there. That's one of the driving factors that resulted in Supercell's Helsinki headquarters was the first office to house the new Framery smart pods – anywhere in the world.



much more spacious. The added adjustability is a really great feature." Natural light pours in from well-placed skylights to illuminate collaborative spaces and offices throughout the 9-floor building. And characters from Supercell's games are sprinkled throughout the open and spacious office layout – fostering a sense of inspiration and teamwork among employees.

People-first

Supercell is committed to providing a conducive work environment. Recognizing the value of private spaces for meetings, calls, and focused work, Supercell first started integrating Framery pods into its workplace design in 2018. Framery pods have helped Jaana Ikkäheimonen and the Office Experience Team foster a collaborative culture. "We have several Framery pods in team spaces and throughout open areas of the office," says Jaana.

Supercell & Framery smart pods

With the March 2024 installation of Framery Four and Framery One Compact, Wood City officially became the first office in the world with Framery's new smart pods – outside of Framery HQ. "The soundproofing is even better than ever, and we love the upgrades to ventilation and lighting."

Highlighting their position as a forward-thinking organization, the early-implementation of innovative



The stunning spaces of Supercell

A long-time Framery customer, Supercell has grown from a small team of passionate developers to a global leader in mobile gaming. With headquarters in Helsinki, Supercell has expanded its global presence with offices in Shanghai, San Francisco, and Seoul.

With a total of 35 Framery pods spread throughout their global offices – including two brand new Framery smart pods sitting proudly in their Helsinki HQ.

Wood City

Known throughout the design and architecture world as "Wood City," Supercell's beautiful Helsinki premises is a marvel of office architecture – serving as a manifestation of their commitment to creativity, innovation, and community. "We have several Framery pods in team spaces and throughout open areas of the office." This beautifully-constructed space, complete with shared spaces, impressive architectural features, and a day-care center for employees' children, further reinforces the company's commitment to fostering a supportive and inclusive workplace culture.

Design-forward

Helsinki-based Anttinen Oiva Architects worked closely with Supercell to create the now-famous workplace. The design incorporates flowing wooden arches that mirror the craftsmanship and attention to detail found in their game development process. "The new smart pods feel so



technologies demonstrates their dedication to creating an exceptional workplace environment.

And they are actively supporting employee well-being and productivity – by providing the modern tools their teams need to succeed in their roles and collaborate effectively.

Form meets function

The clean lines and polished finish of the new Framery smart pods create a timeless design that harmonizes with the brilliance of Wood City, resulting in uninterrupted alignment between office design and functionality. "We like to use color to create beautiful combinations that match the interior design and unique vibe of our different offices."

As Supercell expands the implementation of Framery smart pods to other offices, a wide range of customizable colors and options makes it easy to tailor their smart pods to the unique aesthetic and vibe of each individual space.

Connecting people & spaces

Framery smart pods provide Supercell with adaptable spaces that have been specifically engineered for the needs of hybrid work. Featuring patent-pending soundproofing technology, automated ventilation, and video-optimized lighting, the new smart pods are supported by people-first technology that helps their people connect together at the office and online.

As with Framery One, the new smart pods provide Supercell with anonymous occupancy data they can use to inform future space planning decisions. "Framery Connect has helped us to see how effectively our pods are placed by tracking occupancy and analyzing usage rates."

The Office Experience Team is able to use Framery Connect to analyze the data and gain a better

understanding of how its office spaces are utilized based on actual usage patterns, benchmark performance and identify trends or best practices, and optimize their offices worldwide for productivity and well-being.

A culture of growth

Supercell's success can be attributed to a unified company culture – which emphasizes teamwork, autonomy, and a relentless focus on quality. With plans for further expansion, the company intends to deploy Framery smart pods across its offices worldwide.

With the installation of the new smart pods, Supercell now has access to the entire suite of Framery Workplace Technology – a collection of new tools and services that help their people to reserve meeting spaces on the go, and enhance focus, privacy, and productivity throughout their offices.

Framery and the future of Supercell

As the first office anywhere with Framery smart pods, Supercell continues to redefine the future of work – creating innovative environments where creativity thrives. By embracing Framery smart pods, Supercell has demonstrated its commitment to creating an inclusive, inspiring work environment that enables teams to thrive and create games that captivate audiences worldwide. And their continued reliance on Framery underscores Supercell's confidence in the quality, reliability, and innovative mindset that allows Framery to meet their evolving needs over time.



Pods that generate a carbon handprint

A recent study found that office pods are more cost-effective than constructing new meeting rooms. This has huge implications for the massive amount of underprepared office spaces across the USA – and could save the industry over 30 billion dollars between now and 2030. For the second time since 2019, Framery has teamed up with commercial real estate services firm, CBRE Finland, and compared the total costs of one, four and six-person Framery soundproof office pods to the cost of meeting rooms of equal size in Europe, North America and Asia. And, for the second time, the report reveals interesting insights that provide office tenants and managers with

the tools necessary to make informed decisions about the design and layout of their space.

Offices around the world are learning that they are improperly equipped for the needs of a modern workforce. Meetings are shrinking, and 90% of meetings feature at least one virtual participant. Modern offices are in need of quiet spaces to join calls and host smaller meetings. But properly equipped meeting rooms are in limited supply – especially in the open-plan office spaces that gained popularity in the decades preceding the pandemic. Now companies face a critical investment decision: more walls or pods?



30%*

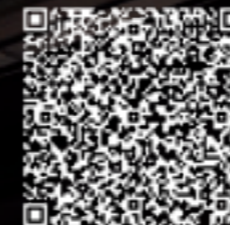
lower carbon footprint of Framery pods on average, compared to fixed constructions, over a 20-year lifetime.

Based on study findings, Framery pods can be used to reduce the environmental impact of office construction and renovation.

The study is demonstrative, and situations may vary depending on the location and the company. However, the calculations can be applied to alternative scenarios as well.

From the climate point of view, it is clear that the pods provide the greatest value in terms of carbon handprint when their flexibility and ease of relocation is fully utilized.

*on average, according to the study conducted by UseLess Company.

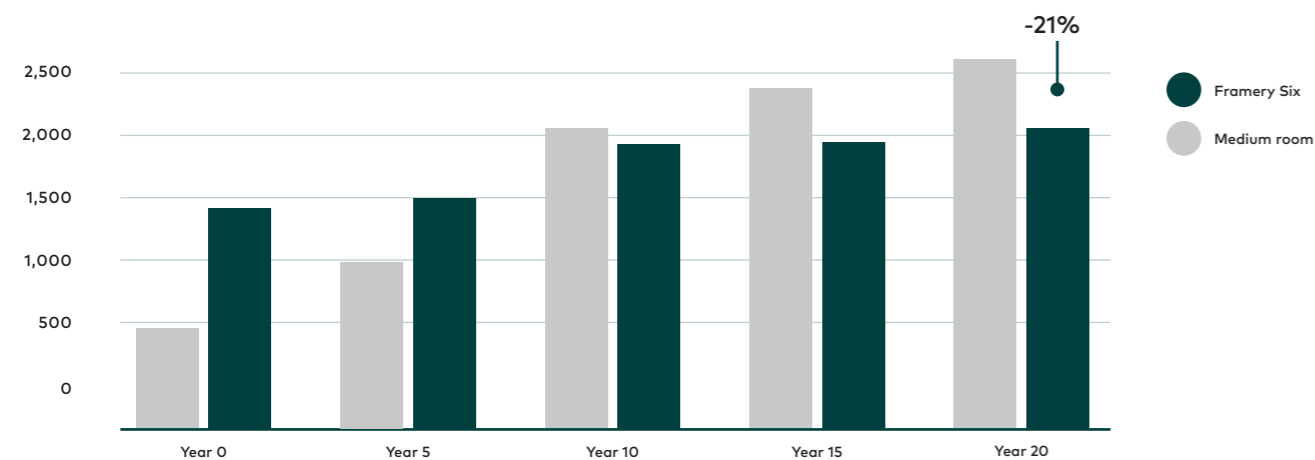
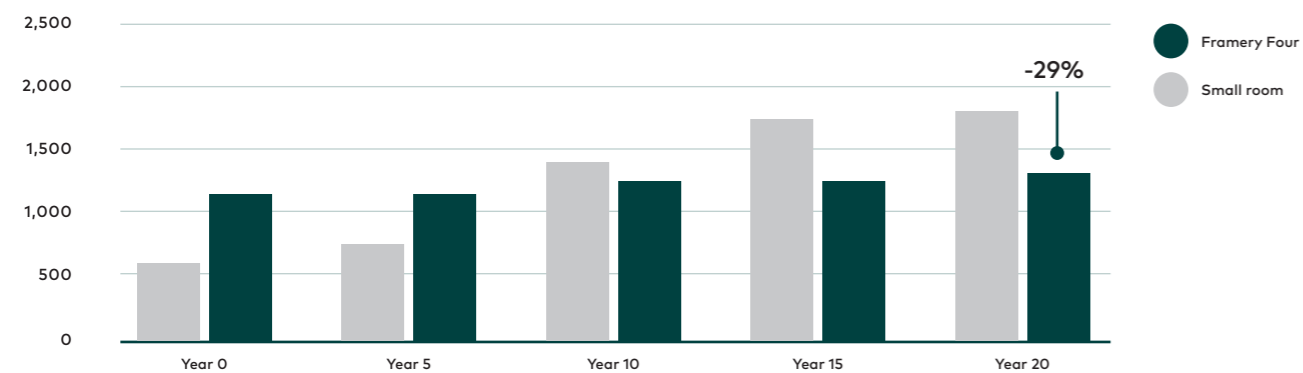
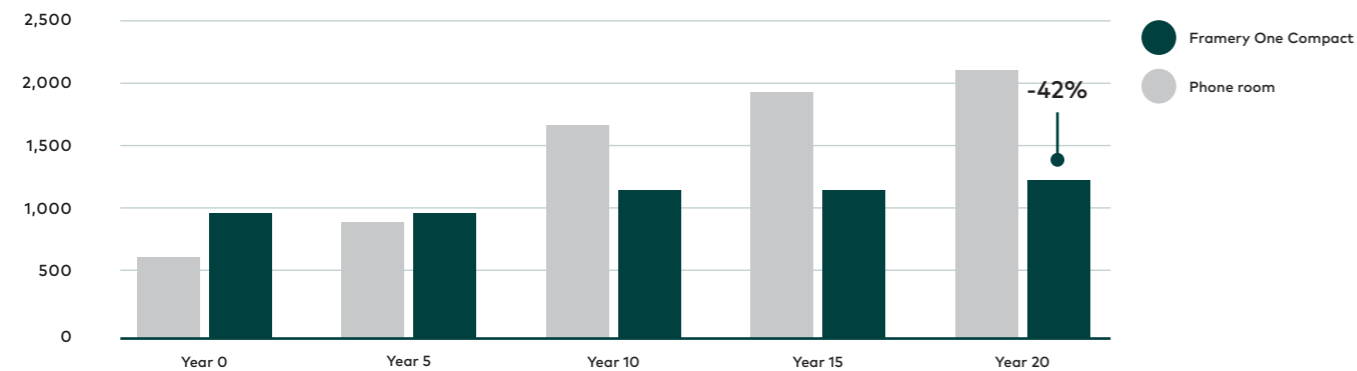


Read more from our Sustainability report

Around the globe, offices are scrambling to keep up with the increased demand for private spaces, as companies are being forced to compete with the perks and amenities provided in the home office.

We know that we make the world's most sustainable pods, but we wanted to find out how sustainable they are compared to traditional built meeting rooms. Do our products have smaller carbon footprints than built meeting rooms when a longer lifespan, office moving, and renovation of meeting rooms are taken into account?

And if so what amount of emissions could our customers save by using our pods? We conducted a study to find out. The carbon handprint study was conducted by UseLess Company in February 2024, and it was partially based on a previous cost study, which was conducted by CBRE. A handprint refers to the beneficial environmental impacts



Cumulative GHG emissions (kg CO2e)

YEAR	BUILT ROOM	FRAMERY PODS
0	OFFICE SETUP	MANUFACTURING OF POD
	Production of material	Production of raw materials and components
	Transportation of material	Transportation and storage of components
	Electricity in room construction	Pod module assembly at Framery
	Construction waste management	Transportation of pods
5	OFFICE RENOVATION	POD REPOSITIONING
	Replacement of 50% of materials, excluding frames and doors	No changes needed for pods
	Electricity in room construction	
	Construction waste management	
10	MOVE TO A NEW OFFICE	MOVE TO A NEW OFFICE
	Replacement of all materials	Replacement of interior panels and 50% of electrical parts
	Electricity in room construction	Waste management of replaced materials
	Construction waste management	Transportation of pods (within 20 km)
15	OFFICE RENOVATION	POD REPOSITIONING
	Replacement of 50% of materials, excluding frames and doors	No changes needed for pods
	Electricity in room construction	
	Construction waste management	
20	END OF LIFE	END OF LIFE
	Construction waste management	Waste management of pods

that organizations can achieve by offering products and services that reduce the footprints of others. A carbon handprint is the reduction of the carbon footprint of others.

The comparative carbon footprint calculation was carried out by using the handprint method. In addition, ISO 14067, 14044, and 14040 standards were applied. The carbon footprint of Framery's products were taken from the LCA study conducted by UseLess Company, which was finalized in January 2024.

The study compared our products to a baseline – a reference case that best represents the conditions most likely to occur in the absence of the offered solution. In this case the baseline was built meeting rooms for one, four, and six people in an existing office setup in Helsinki, Finland and the offered solutions were Framery One Compact, Four, and Six. The offered solution is compared to the baseline with respect to its carbon footprint. The study considered the materials needed for the construction of both alternatives, a 20-year life cycle (including two office renovations and one office move), and end-of-life waste management.

Although the carbon footprint of pods is larger in the manufacturing phase, that's only telling half the story. We have to look at the entire life cycle to get the true picture. Cumulative emissions show that pods result in lower emissions compared to an office that undergoes renovation and a move to a new location. Over a 20-year lifetime, the results showed that the carbon footprints of Framery pods are on average 30% lower compared to fixed constructions. When the carbon footprint of a pod is lower than the footprint of a room, the difference between the footprints is the carbon handprint.

Compared to a 4 m2 built meeting room, Framery One Compact generated 42% relative emissions savings and a carbon handprint of 861 kg over 20 years. Compared to a 9 m2 built meeting room, Framery Four generated 29% relative emissions savings and a carbon handprint of 1,033 kg over 20 years.

Compared to a 21 m2 built meeting room, Framery Six generated 20% relative emissions savings and a carbon handprint of 1,096 kg over 20 years.

SUSTAINABILITY WITH IMPACT

Dedicated to sustainability

At Framery, sustainability is critical to our innovation and strategy work. Our sustainability agenda incorporates Climate and Environment, People and Society, and Fair Business throughout our operations and across our entire value chain.

- 01 Material swatches
- 02 Team collaboration at Framery HQ
- 03 Nordic birch plywood

01



02



03

Since 2018, Framery has been committed to the United Nations Global Compact (UNGC) corporate responsibility initiative and its principles. We are committed to aligning our operations with the basic principles and ambitious aspirations of the UN Global Compact, supporting human rights, the right to collective bargaining, the precautionary approach to environmental issues and opposing

corruption. Our ambition is to enable millions of people at work to connect and focus on what really matters. And we constantly seek to make our environmental footprint smaller and handprint bigger to be sure we are not just creating happiness today, but happiness also for future generations.



01

The three themes of our sustainability work

1. Fair Business

Over the last ten years, Framery has grown organically from EUR 1 million to over EUR 150 million. What's our secret to sustainable growth? Well, simply, we don't engage in any funny business. We pay our taxes fair and square; we do honest deals with our partners and dealers; we pay fair wages and we offer our customers the best possible product. This way, we can support our local community by offering jobs and creating a stable society in our home municipality of Pirkanmaa.

2. People & Society

We take special care of our employees, customers and all the people we work with. We have a strong culture backing up our sky-rocket growth and the happiness of our people. We invest in our people, because we believe that happy Framerians make the best possible products and provide our customers with the best service – in turn making them

happy as well. While there are great cultures in many companies, our unique way of working makes Framery a one-of-a-kind. Our values in the core of our culture are the abilities and practices that we especially appreciate in each other and where we base our decision making on. They are not just hollow phrases – our values create our shared practices, rules and goals. When we recruit new colleagues, consider pay raises or individual growth, we always mirror the actions of the individual to our values.

OUR VALUES

- Respect
- Courage and Curiosity
- Transparency
- Responsibility
- Good judgment

At Framery we have absolutely zero tolerance for discrimination and inappropriate behavior. We cherish and support different viewpoints and believe that the more diverse spectrum of different views we have, the better decisions we are able to make.

3. Climate and Environment

We have not lose sight of the existential environmental threats facing us globally, from resource scarcity and climate change to loss of biodiversity. These unprecedented events continue to strongly motivate us at Framery to strive to do our part towards helping to create a far more sustainable future world.

The shift towards a circular economy is indispensable. By converting our products and business models to be more circular, we are future-proofing our business and respecting planetary boundaries at the same time. Framery has paid special attention to better understand its position in circular economy and climate change.

Framery is committed to the Science Based Targets initiative and has set emission reduction targets aligned with the 1.5°C temperature goal. This target shows Framery's commitment to the latest climate science that says it is necessary to meet the goals of the Paris Agreement.

02



THE WORLD'S MOST SUSTAINABLE PODS

- Our products have GREENGUARD certification
- We maximize our products' lifetime through timeless design, excellent soundproofing and durable high-quality materials. (None of our products have come to the end of their life cycle yet according to our knowledge).
- Products' modular design enables the circular economy: our products are easy to repair and refurbish, and can be recycled at the end of their life cycle.
- Raw materials are listed transparently in Health Product Declarations (HPD's) on 100 ppm level
- Framery provides externally verified product life cycle carbon footprint and other environmental impacts in Environmental Product Declarations EPD's.
- We strive to minimize the amount of materials, especially virgin and non-renewable materials. Currently, felts and acoustic foam are ca. 80% recycled PET, steel is ca. 20% recycled and glass 29% recycled. All wood component suppliers are required to have FSC or PEFC certification. Fabrics have EU Ecolabel.
- Our own production material efficiency rate was 95% in 2022. Virtually no waste goes to landfill.
- We use zero-emission electricity and our milk run logistics are operated by biogas and renewable diesel.
- The same pod can be used by one customer after another, enabling multiple life cycles and saving valuable resources. Thanks to their modular design, our pods are easy to disassemble, refurbish if needed, and assemble at a new location. They are also highly maintainable with easily available spare parts.
- We are pioneering a 'pod as a service' circular business model in Finland, Sweden, Norway, Germany, Netherlands and France, called Framery Subscribed.
- Lastly, our products are recyclable and recycling instructions are available.

- 01 Framery pods are produced in Tampere, Finland using zero-emission electricity
- 02 Framery pods are designed to be durable and timeless

Award-winning Framery Smart Pods

We are deeply honored with the worldwide recognition Framery smart pods have received for setting the benchmarks for design excellence and innovation worldwide. These awards are acknowledgments and reflections of our dedication to crafting products that elevate workplace environments.

The awarding organizations honor craftsmanship, creativity, and the transformative impact of our products on modern office dynamics. Their recognition underscores our commitment to pushing the boundaries of innovation in workplace solutions.

Honored and inspired

The multitude of industry awards recognize our commitment to design excellence and innovation - and fuel our passion to continue pushing the boundaries of what's possible in workplace solutions.

With each award, we are reminded of our mission to enhance workplace productivity, well-being, and collaboration worldwide. And motivated to continue to innovate ways to improve sustainability, functionality, and user-centric design into every aspect of our work.

Awards for Framery smart pods

RED DOT DESIGN AWARDS

2024 Red Dot Award
Design Concept
Framery smart pod family

ARCHITIZER A+AWARDS

2024 A+Product Awards
Jury Winner - Furniture Systems Category
Framery smart pod family

INTERNATIONAL ARCHITECTURE & DESIGN AWARDS

2024 IADA Platinum Award
Office & Workspace Furniture Category
Framery smart pod family

2024 IADA PLATINUM AWARD

Workplace and Office Design Category
Framery smart pod family

BEST OF NEOCON AWARDS

2024 Best of Neocon Business Impact
Award
Acoustics & Privacy Category
Framery smart pod family

GREEN GOOD DESIGN AWARDS

2022 Green GOOD DESIGN Award
Framery One

2021 GOOD DESIGN AWARD

Framery One



Find out more
on our website

"Buy me a phone booth"

It was 2010 and there were around a hundred employees working in the same open office space. Two of them, including founder & CEO Samu Hällfors, had had enough of listening to their boss speaking constantly on his phone with a headset. It was basically impossible to concentrate on anything. The two soon came up with a less than polite proposal – that the boss go elsewhere to make his calls. He was quick with a response: "Well, buy me a phone booth". The only problem was that there wasn't one on the market. The only option was to make one. That day they gave up working for that software company and started to become experts on acoustics.

And Framery was born. The guys had found their calling. They realized that many workplaces suffer from the same problem – with no solution available.

After years of development, analyzing customer feedback – and rigorous trial and error – our sixth generation pod the Framery O turned out to be super functional. It was a silent place to work with superb acoustics and silent ventilation.

At first it was a struggle – as with anything new. But when people began to use the pods their office culture quickly transformed. News began to travel and soon companies such as Microsoft, SAP and Deloitte bought them and loved them. They sold in the thousands. And Framery O quickly became the world's best selling pod.

Together with our customers we saw the bigger picture. There are constant disruptions in open offices – from phone calls, ad hoc meetings and discussions. It's hard to recover your concentration when it's broken – it takes time to refocus. You become less productive, less creative and your potential is not fulfilled.

The way we work is changing quickly. What was relevant in an industrial context does not apply to information work. What worked in an open-plan office does not work in multipurpose spaces. And whatever we are learning about new digital working methods will become obsolete as soon as we start working side-by-side with artificial intelligence.

"To empower people at work to get things done and focus on what really matters: solving problems, creating solutions, and building a better tomorrow."

Many companies invest in smart office solutions, such as soundproof office pods, to make their working environment more alluring to workers. Noise reduction is just a part of the solution – and always will be.

With a strong focus and investment in research, we are committed to practice what we preach inside our own company. And even with the implementation of new and advanced technologies into our products, we maintain true to our roots and the ideals that got us here. Now, more than ever, we are determined to continue providing tools and solutions for a successful workday.

PART THREE

Framery products



Framery is the pioneer of soundproof office pods and workspaces. Every detail of every product is carefully considered and perfected to ensure people can focus on what really matters.

Framery One Compact



Framery One Compact is a smart, spacious, one-person phone booth designed for phone and video calls. This state-of-the-art soundproof office pod is packed with technology, featuring world-class sound insulation, echo-free acoustics, adaptive ventilation and automated lighting – so you can focus on your calls and connect online with people anywhere.



Workdays that flow with ease

Framery One Compact has been purposefully designed to make your workdays flow better. Find and book the pod in advance or on-the-fly from the Framery app. Or step inside and the pod automatically creates a reservation for you. Extend your reservation directly from the pod's touchscreen, or adjust your booking through the app.



Privacy you can trust

The fine-tuned acoustic structure provides A-Class soundproofing that allows the pod to be placed next to workstations without causing noise distractions to the user or to those outside of the pod. And echo-free interior acoustics make the pod a private, comfortable place for work and video calls.



Airflow that keeps you fresh

The pod recognizes when it's occupied, senses the temperature and humidity of the surroundings, and triggers adjustments to the airflow accordingly. Enhanced ventilation fully refreshes the air every minute, and ventilation can be easily adjusted through the pod's touchscreen.



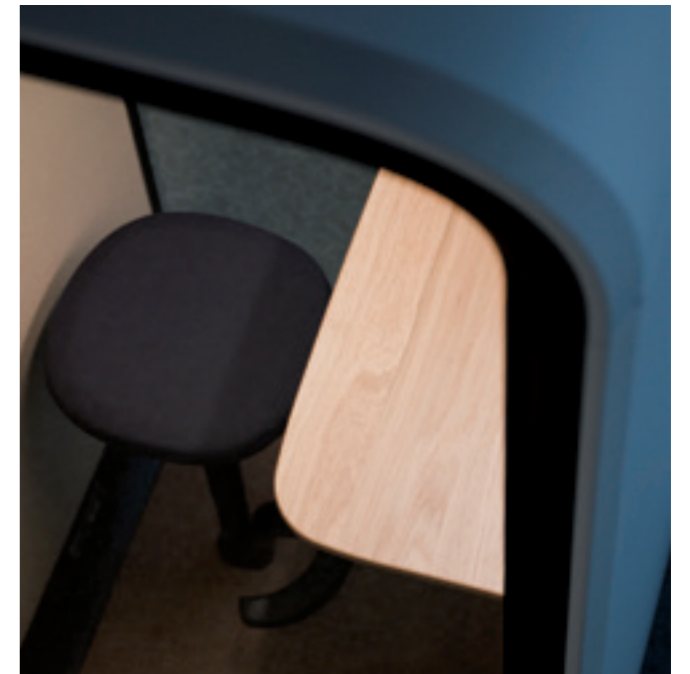
Lighting that makes you feel good

Automated dual-lighting sources adapt to your needs, with preset lighting options to choose between work or video modes. Video-optimized lighting helps you shine on video calls. Adjustments can be made quickly and easily through the touchscreen display.



Framery One Compact / Design details

Framery One Compact feels spacious inside while taking a minimal amount of floor space. This phone booth is built to last with a lightweight structure and efficient use of materials without compromising performance or quality. The minimalistic design approach uses carefully curated materials, making it a sustainable choice.



1. A-CLASS SOUNDPROOFING

Guaranteed privacy with fine-tuned Class A speech level reduction of 30dB – and the industry's top ISO 23351-1 rating for office phone booths.

2. FRAMERY OFFICE SOUND MASKING SYSTEM™

The embedded system is based on patent-pending technology that reduces noise distractions and protects speech privacy in office environments by adding a subtle, unobtrusive background sound outside of the pod. This ambient background noise, similar to air flow, is specifically designed to blend in with the office's noise atmosphere – making sounds less intelligible and therefore less distracting.

3. ADAPTIVE VENTILATION

Proprietary design enables unparalleled ventilation with maximum airflow of 36 l/s – surpassing industry standards around the world.

4. TEMPERATURE & HUMIDITY SENSORS

Sensors inside the pod recognize the temperature and humidity of the office environment, and automatically optimizes the airflow accordingly.

5. AUTOMATIC LIGHTING MODES

Dual adjustable 4000K LED light sources allow you to seamlessly switch between video or work modes – or make manual adjustments for personalized illumination.

6. 8-INCH TOUCHSCREEN

An intuitive, 8-inch high-resolution touchscreen makes it easy to control pod settings, adjust lighting and airflow, and extend calendar reservations effortlessly.

7. AUTOMATIC UPGRADES

A built-in 4G connection enables automatic over-the-air software updates – initiated instantly and silently in the background.

8. MMWAVE RADAR PRESENCE DETECTION

Millimeter-wave radar sensors immediately detect when someone enters or leaves the pod, allowing lighting and ventilation to adjust accordingly. Occupancy data is gathered

and displayed through Framery Connect to provide information about when the pod is being used the most.

9. FRAMERY CONNECT™

Gain insights from occupancy data, initiate advanced bookability functionalities, and connect your Framery One Compact to the entire office to get valuable usage data needed to improve the layout and efficiency of your workplace.

Framery One Compact's powder-coated exterior panels are made from deepdrawn steel. Matt black structures made from aluminum create the framing, and sound-control laminated glass finish the structural support.

The pod chassis is made of a light steel structure. Replaceable interior paneling are made from PET sound-absorbing material. Anti-static, stain resistant low-loop pile carpeting covers the flooring.



The top-mounted occupancy lights show at a glance whether the pod is available or already taken.



The custom-designed table comfortably fits a laptop, and a built-in power outlet and coat hook are provided for all your office accessories.



The height-adjustable seat and built-in footrest prioritize comfortable and ergonomic working positions.



Customize your pod to fit your workplace with over 3000 combinations of colors, fabrics, and high-quality materials to choose from.

Framery One

Framery One is a smart, spacious, one-person workstation designed for video calls and focus work. Contemporary design and advanced technology characterize every detail of this comfortable and versatile workspace. This soundproof office pod features world-class sound insulation, industry-leading ventilation, and echo-free acoustics so you can focus on your work and connect online with people anywhere.



Workdays that flow with ease

Framery One has been purposefully designed to make your workdays flow easier. Automatically reserve a vacant pod by stepping inside, or book it in advance from the Framery app. Extend your reservation directly from the pod's touchscreen, or adjust your booking through the app.



Privacy you can trust

A-Class soundproofing assures that Framery pods can be placed next to workstations without causing noise distractions to the person in the pod or to the people outside. And echo-free interior acoustics make Framery One a private, comfortable place for work and video calls.



Airflow that keeps you fresh

Stay fresh and focused with efficient airflow. Enhanced ventilation fully refreshes the air every minute. The ventilation can be easily adjusted to the user's preferences through the pod's touchscreen display with a single touch.



Lighting that makes you feel good

Automated dual-lighting sources adapt to your needs, with preset lighting options to choose between work or video modes. Video-optimized lighting helps you shine on video calls. Adjustments can be made quickly and easily through the touchscreen display.



1. A-CLASS SOUNDPROOFING

Guaranteed privacy with an industry leading Class A speech level reduction of 30dB and one of the industry's top ISO 23351-1 ratings for office phone booths.

2. ADJUSTABLE VENTILATION

Proprietary design enables unparalleled ventilation with maximum airflow of 29 l/s – surpassing industry standards around the world.

3. OPTIMIZED LIGHTING

Dual adjustable 4000K LED light sources allow you to seamlessly switch between video or work modes – or make manual adjustments for personalized illumination

4. AUTOMATED WALK-IN RESERVATIONS

Step inside the pod to create an automatic walk-in reservation – or easily find and book Framery One through the Framery app. Adjust your booking from the mobile application, or directly from inside the pod.

5. BUILT-IN 4G CONNECTION

Framery smart pods come with built-in 4G connection enabling over the air software updates and keeping your pods connected to your calendar.

6. INTUITIVE UI

A high-resolution touchscreen makes it easy to control pod settings,

adjust lighting and airflow, and manage calendar reservations.

7. AUTOMATIC UPDATES

A built-in 4G connection enables automatic over-the-air software updates – initiated instantly and silently in the background.

8. OCCUPANCY INDICATION

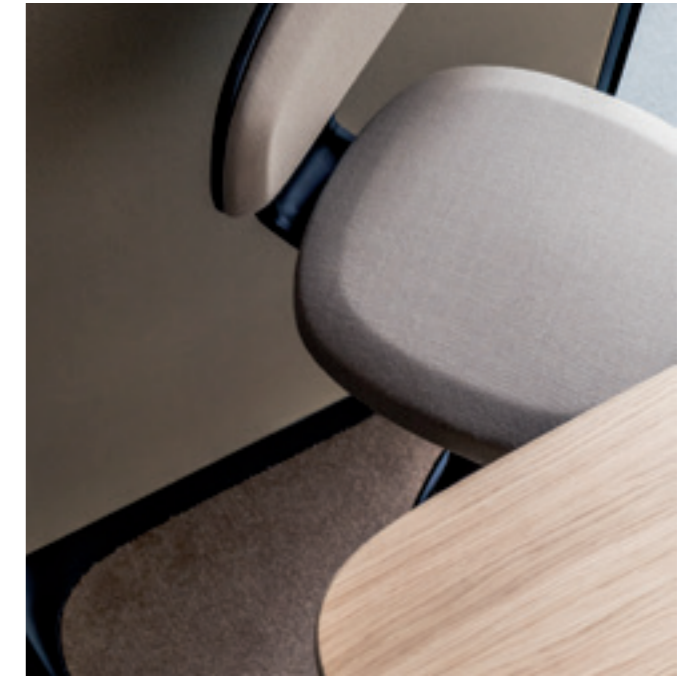
The side-mounted occupancy lights show at a glance whether the pod is free or already in use. The pod's usage data is gathered and visualized in Framery Connect™ to help ensure you have the right number pods, and that they are placed correctly in your office.

9. FRAMERY CONNECT™

Gain insights from occupancy data, initiate advanced bookability functionalities, and connect your Framery One to the entire office to get valuable usage data needed to improve the layout and efficiency of your workplace.

Framery One / Design details

Contemporary design and advanced technology characterize every detail of this comfortable and stylish soundproof work pod with premium design. Select from a harmonious color palette and enjoy a workspace where elegant form meets limitless capacity. Framery One is built sustainably and engineered to last.

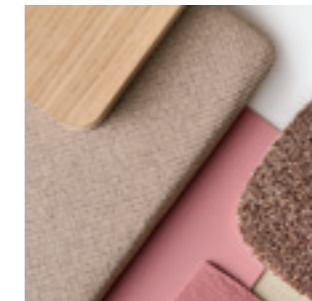


Framery One's powder-coated exterior panels are made from deepdrawn steel. Matt black structures made from aluminum and steel create the framing, and sound-control laminated glass finish the structural support. Replaceable interior paneling is made from PET sound-absorbing material. Anti-static, stain resistant low-loop pile carpeting covers the flooring.

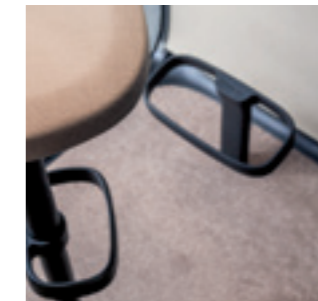
Framery One's 1.22 m² (13.1 ft²) footprint takes minimal office space, maximizing the pod's spatial efficiency. The optional casters allows you to easily relocate your pod quickly, and without disassembly.



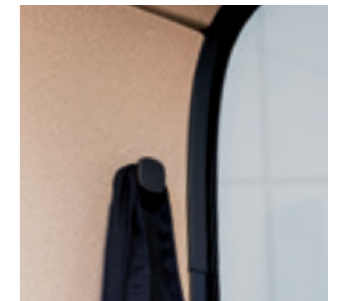
The exterior occupancy lights show at a glance whether the pod is available or already taken.



Customize your pod to fit your workplace with over 3000 combinations of colors, fabrics, and high-quality materials to choose from.



The electric work desk and adjustable seat let you work in comfort, with dual-footrests to prioritize ergonomic working positions.



Convenient outlets and a coat hook are provided to accommodate all your office accessories.

Framery Four



Framery Four is a smart office meeting pod for up to 4 people. This multifunctional soundproof meeting space is engineered for face-to-face meetings and hybrid work from the office. Fine-tuned acoustics and soundproofing provides privacy for discussions and virtual calls. Framery Four's adaptive ventilation and automated lighting let you focus on what really matters and have a successful workday.



Workdays that flow with ease

Framery Four has been purposefully designed to make your workdays flow better. Find and book the pod in advance or on-the-fly from the Framery app. Or step inside and the pod automatically creates a reservation for you. Extend your reservation directly from the pod's touchscreen, or adjust your booking through the app.



Privacy you can trust

The fine-tuned acoustic structure provides A-Class soundproofing that allows the pod to be placed next to workstations without causing noise distractions to the user or to those outside of the pod. And echo-free interior acoustics make the pod a private, comfortable place for work and video calls.



Airflow that keeps you fresh

The pod recognizes when it's occupied, senses the temperature and humidity of the surroundings, and triggers adjustments to the airflow accordingly. Enhanced ventilation fully refreshes the air every minute, and ventilation can be easily adjusted through the pod's touchscreen.



Lighting that makes you feel good

Multiple automated light sources adapt to your needs, with preset lighting options to choose between work or video modes. Video-optimized lighting helps you shine on video calls. Adjustments can be made quickly and easily through the touchscreen display.



1. A-CLASS SOUNDPROOFING

Guaranteed privacy with fine-tuned Class A speech level reduction of 30dB – and the industry’s top ISO 23351-1 rating for office phone booths.

2. FRAMERY OFFICE SOUND MASKING SYSTEM™

The embedded system is based on patent-pending technology that reduces noise distractions and protects speech privacy in office environments by adding a subtle, unobtrusive background sound outside of the pod. This ambient background noise, similar to air flow, is specifically designed to blend in with the office’s noise atmosphere – making sounds less intelligible and therefore less distracting.

3. ADAPTIVE VENTILATION

Proprietary design enables unparalleled ventilation with maximum airflow of 100 l/s – surpassing industry standards around the world.

4. TEMPERATURE & HUMIDITY SENSORS

Sensors inside the pod recognize the temperature and humidity of the office environment, and automatically optimize the airflow accordingly.

5. AUTOMATIC LIGHTING MODES

Dual adjustable 4000K LED light sources allow you to seamlessly switch between video or work modes – or make manual adjustments for personalized illumination.

6. 8-INCH TOUCHSCREEN

An intuitive, 8-inch high-resolution touchscreen makes it easy to control pod settings, adjust lighting and airflow, and extend calendar reservations effortlessly.

7. AUTOMATIC UPGRADES

A built-in 4G connection enables automatic over-the-air software updates – initiated instantly and silently in the background.

8. MMWAVE RADAR PRESENCE DETECTION

Millimeter-wave radar sensors immediately detect when someone enters or leaves the pod, allowing lighting and ventilation to adjust accordingly.

Occupancy data is gathered and displayed through Framery Connect to provide information about when the pod is being used the most.

9. FRAMERY CONNECT™

Gain insights from occupancy data, initiate advanced bookability functionalities, and connect your Framery Four to the entire office to get valuable usage data needed to improve the layout and efficiency of your workplace.

Framery Four / Design details

Framery Four easily fits any office thanks to its efficient size and sleek design. The interior is luxurious in space, easily fitting two comfortable sofas and lots of table space. The low threshold enables easy access. Choose from a variety of colors and interior options to make the pod fit your environment seamlessly. Framery Four is designed sustainable and built to last.



Framery Four's powder-coated exterior panels are made from deepdrawn and bended steel. Matt black structures made from aluminum create the framing, and sound-control laminated glass finish the structural support.



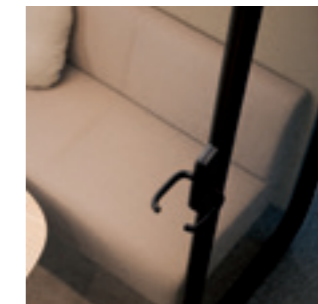
The pod chassis is made of a light steel structure. Replaceable interior paneling are made from PET sound-absorbing material. Anti-static, stain resistant low-loop pile carpeting covers the flooring.



The exterior occupancy lights show at a glance whether the pod is available or already taken.



The custom-designed table comfortably accommodates laptops, and built-in power outlets and optional coat hooks support all your office accessories. An optional adjustable monitor arm can be inserted directly into the table leg to support a 27" screen.



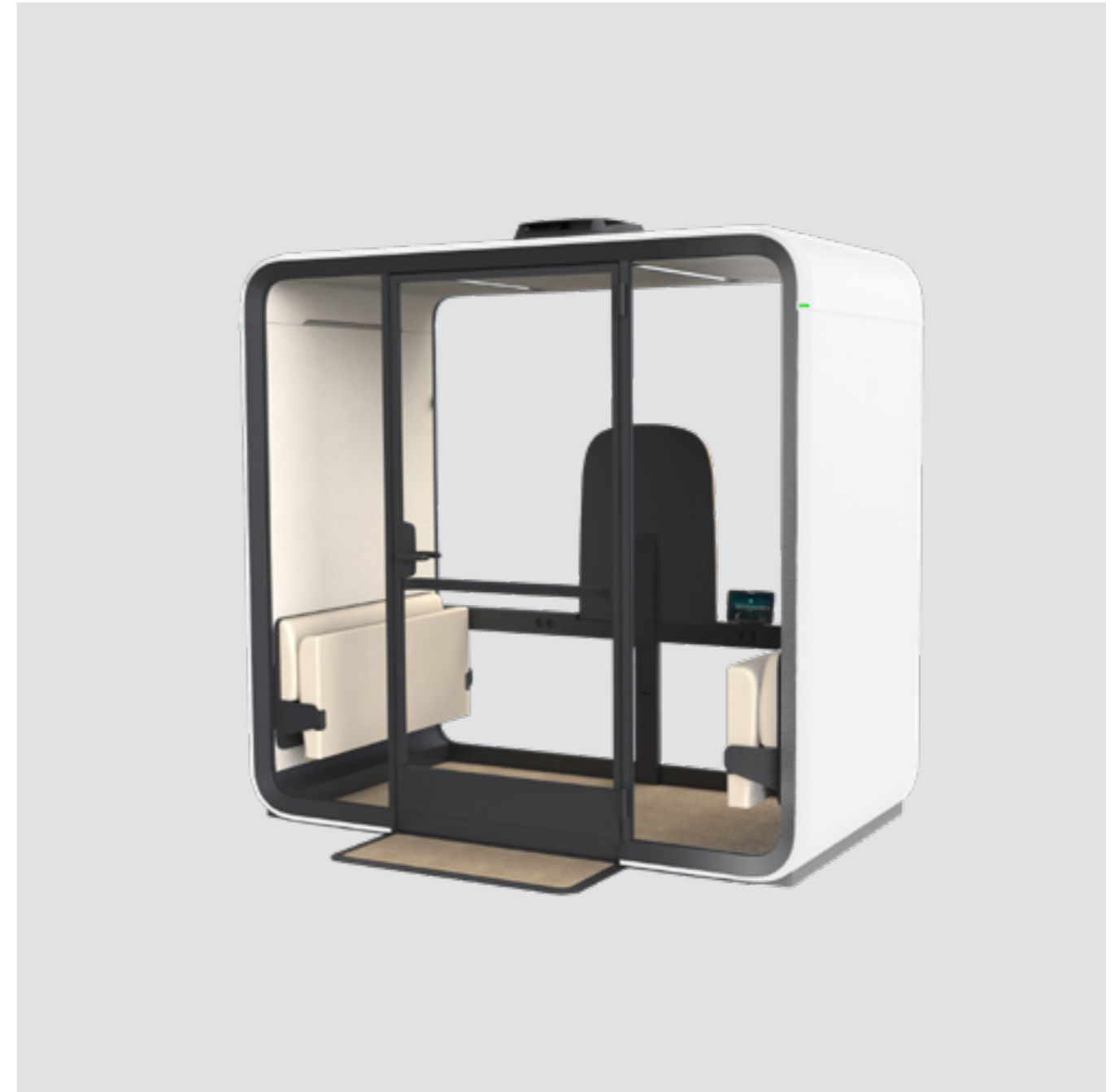
The sofas of Framery Four are specially designed to fit four people comfortably. Custom cushions are available for additional comfort and support.



An optional gather zone outside of Framery Four creates an additional meeting area, featuring a convenient add-on rail where a whiteboard or additional display can be attached.

Framery Four Accessible

Framery Four Accessible is a fully accessible smart office meeting pod. This soundproof meeting space is ADA compliant - featuring folding furniture, a low threshold, and a T-shaped turning space. Packed with the same advanced technology and functionality as the entire line of Framery smart pods, Framery Four Accessible is a comfortable, adaptive, and multifunctional space for meetings and hybrid work.



Workdays that flow with ease

Framery Four Accessible has been purposefully designed to make your workdays flow better. Find and book the pod in advance or on-the-fly from the Framery app. Or step inside and the pod automatically creates a reservation for you. Extend your reservation directly from the pod's touchscreen, or adjust your booking through the Framery app.



Privacy you can trust

The fine-tuned acoustic structure provides A-Class soundproofing that allows the pod to be placed next to workstations without causing noise distractions to the user or to those outside of the pod. And echo-free interior acoustics make the pod a private, comfortable place for work and video calls.



Airflow that keeps you fresh

The pod recognizes when it's occupied, senses the temperature and humidity of the surroundings, and triggers adjustments to the airflow accordingly. Enhanced ventilation fully refreshes the air every minute, and ventilation can be easily adjusted through the pod's touchscreen display.



Lighting that makes you feel good

Multiple automated light sources adapt to your needs, with preset lighting options to choose between work or video modes. Video-optimized lighting helps you shine on video calls. Adjustments can be made quickly and easily through the touchscreen display.



Framery Four Accessible / Design details

Designed according to ADA standards, Framery Four Accessible combines the sophisticated engineering of Framery smart pods with accommodating features to improve usability even further. A door opening ratio of 180°, a structured black metal pull bar, and an easy-to-reach accessory rail make Framery Four Accessible an equitable private space for every user.



1. A-CLASS SOUNDPROOFING

Guaranteed privacy with fine-tuned Class A speech level reduction of 30dB - and the industry's top ISO 23351-1 rating for office meeting pods.

2. FRAMERY OFFICE SOUND MASKING SYSTEM™

The embedded system is based on patent-pending technology that reduces noise distractions and protects speech privacy in office environments by adding a subtle, unobtrusive background sound outside of the pod. This ambient background noise, similar to air flow, is specifically designed to blend in with the office's noise atmosphere - making sounds less intelligible and therefore less distracting.

3. ADAPTIVE VENTILATION

Proprietary design enables unparalleled ventilation with maximum airflow of 100 l/s - surpassing industry standards around the world.

4. TEMPERATURE & HUMIDITY SENSORS

Sensors inside the pod recognize the temperature and humidity of the office environment, and automatically optimize the airflow accordingly.

5. AUTOMATIC LIGHTING MODES

Dual adjustable 4000K LED light sources allow you to seamlessly switch between video or work modes - or make manual adjustments for personalized illumination.

6. 8-INCH TOUCHSCREEN

An intuitive, 8-inch high-resolution touchscreen makes it easy to control pod settings, adjust lighting and airflow, and extend calendar reservations effortlessly.

7. AUTOMATIC UPGRADES

A built-in 4G connection enables automatic over-the-air software updates - initiated instantly and silently in the background.

8. MMWAVE RADAR PRESENCE DETECTION

Millimeter-wave radar sensors immediately detect when someone enters or leaves the pod, allowing lighting and ventilation to adjust accordingly.

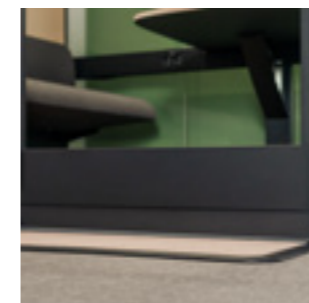
Occupancy data is gathered and displayed through Framery Connect to provide information about when the pod is being used the most.

9. FRAMERY CONNECT™

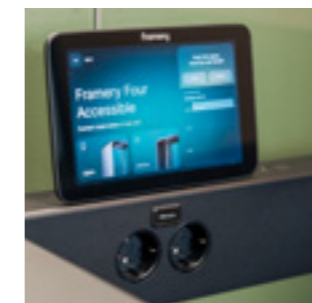
Gain insights from occupancy data, initiate advanced bookability functionalities, and connect your Framery Four to the entire office to get valuable usage data needed to improve the layout and efficiency of your workplace.

Framery Four Accessible features a face-to-face layout designed to support better meetings. The meeting pod is furnished with a sturdy table and comfortable twin sofas that easily fold up to enable access to the pod and create a T-shaped turning space.

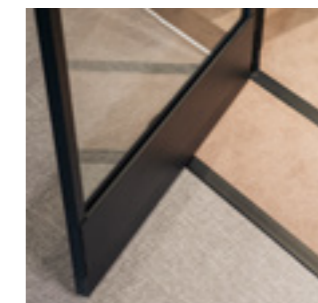
Designed for modern work, Framery Four Accessible utilizes advanced technology to create the perfect atmosphere for any meeting. With the industry's most powerful adaptive ventilation system, video-optimized lighting, and two preset lighting modes for video or focused work.



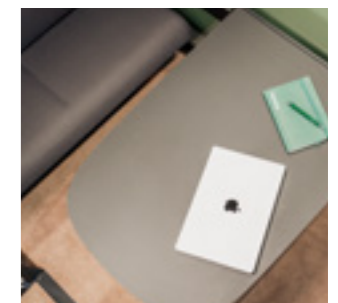
The low threshold (1.27 cm / 0.5 in) and the external platform makes it easy to access the pod with a wheelchair.



Outlets, charge ports, and an 8-inch touchscreen are embedded in a convenient accessory bar and placed within operative height.



The door has a door opening ratio of 180° and sturdy black metal pull bar for opening and closing the door effortlessly.



The folding table serves as a functional work desk. The folding sofas have been designed without compromising the seating comfort.

Framery Six



Framery Six is a smart meeting room for up to 6 people. This multifunctional soundproof meeting space is tailored for collaborative teamwork and enhanced for face-to-face and hybrid brainstorming sessions. With finely-tuned acoustics and top-notch soundproofing, it ensures privacy during discussions and virtual meetings. Framery Six's adaptive ventilation and automated lighting ensure your team can focus on what really matters and have a successful workday.



Workdays that flow with ease

Framery Six has been purposefully designed to make your workdays flow better. Find and book the pod in advance or on-the-fly from the Framery app. Or step inside and the pod automatically creates a reservation for you. Extend your reservation directly from the pod's touchscreen, or adjust your booking through the app.



Privacy you can trust

The fine-tuned acoustic structure provides A-Class soundproofing that allows the pod to be placed next to workstations without causing noise distractions to the user or to those outside of the pod. And echo-free interior acoustics make the pod a private, comfortable place for work and video calls.



Airflow that keeps you fresh

The pod recognizes when it's occupied, senses the temperature and humidity of the surroundings, and triggers adjustments to the airflow accordingly. Enhanced ventilation fully refreshes the air every minute, and ventilation can be easily adjusted through the pod's touchscreen.



Lighting that makes you feel good

Multiple automated light sources adapt to your needs, with preset lighting options to choose between work or video modes. Video-optimized lighting helps you shine on video calls. Adjustments can be made quickly and easily through the touchscreen display.



Framery Six / Design details

Framery Six combines the best features of a larger meeting room in a convenient, modular package. The luxurious and spacious interior comes equipped with a proper-sized meeting table that can be complemented with your own choice of seats. The pod's low threshold enables easy access, and the minimalistic design approach uses carefully curated materials, making it a sustainable choice.



Framery Six is designed to bring teams together - whether you're meeting face-to-face or collaborating online. The space is tailored for collaborative teamwork, and enhanced for face-to-face and hybrid brainstorming sessions.

The optional gather zone outside of Framery Six creates an additional meeting area, featuring matching carpet and a convenient add-on rail where a whiteboard or additional display can be attached. This effectively doubles the amount of working space that Framery Six can offer.

1. A-CLASS SOUNDPROOFING

Guaranteed privacy with fine-tuned Class A speech level reduction of 30dB – and the industry's top ISO 23351-1 rating for office phone booths.

2. FRAMERY OFFICE SOUND MASKING SYSTEM™

The embedded system is based on patent-pending technology that reduces noise distractions and protects speech privacy in office environments by adding a subtle, unobtrusive background sound outside of the pod. This ambient background noise, similar to air flow, is specifically designed to blend in with the office's noise atmosphere – making sounds less intelligible and therefore less distracting.

3. ADAPTIVE VENTILATION

Proprietary design enables unparalleled ventilation with maximum airflow of 187 l/s – surpassing industry standards around the world.

4. TEMPERATURE & HUMIDITY SENSORS

Sensors inside the pod recognize the temperature and humidity of the office environment, and automatically optimize the airflow accordingly.

5. AUTOMATIC LIGHTING MODES

Dual adjustable 4000K LED light sources allow you to seamlessly switch between video or work modes – or make manual adjustments for personalized illumination.

6. 8-INCH TOUCHSCREEN

An intuitive, 8-inch high-resolution touchscreen makes it easy to control pod settings, adjust lighting and airflow, and extend calendar reservations effortlessly.

7. AUTOMATIC UPGRADES

A built-in 4G connection enables automatic over-the-air software updates – initiated instantly and silently in the background.

8. MMWAVE RADAR PRESENCE DETECTION

Millimeter-wave radar sensors immediately detect when someone enters or leaves the pod, allowing lighting and ventilation to adjust accordingly.

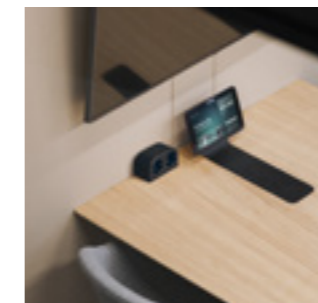
Occupancy data is gathered and displayed through Framery Connect to provide information about when the pod is being used the most.

9. FRAMERY CONNECT™

Gain insights from occupancy data, initiate advanced bookability functionalities, and connect your Framery Six to the entire office to get valuable usage data needed to improve the layout and efficiency of your workplace.



The exterior occupancy lights show at a glance whether the pod is available or already taken.



The custom-designed table comfortably accommodates an entire team, and built-in power outlets and optional coat hooks support all your office accessories.



An optional interior whiteboard can be provided to make it even easier to collaborate participants during meetings.



Customize your pod to fit your workplace with hundreds of combinations of colors, fabrics, and high-quality materials to choose from.

Materials and sustainability



At Framery, sustainability isn't just a goal – it's the cornerstone of our new product line. Designed with durability measured in decades, lightweight structures, and the use of truly recyclable materials, our pods set the standard for eco-conscious design.

Framery smart pods / Environmental data sheet

Framery's new smart pods set the standard in sustainability – with durability that is measured in decades, light-weight product structures, use of truly recyclable materials, and modularity that allows the life cycle of the products to be extended indefinitely. Framery participates in the Science Based Targets initiative, and has set emission reduction targets aligned with the goal of limiting global warming to 1.5°C compared to pre-industrial levels.



Optimal material use

Framery has achieved a 23% material reduction with it's new line of products – which equals over 1 million kg of raw material annually – while increasing their level of performance compared to previous models. The carbon footprint in the manufacturing stage of the new products is 16% smaller on average. A change from plywood to steel as the main construction material also allows Framery to continue reducing its environmental impact and strive towards a 50% reduction in product CO2 emissions by 2028.

carbon footprint, we also study other impacts such as resource depletion and water scarcity. The results are verified by an independent third party, and then published and registered as an EPD to provide stakeholders with reliable information on our products' environmental performance in a transparent way.



Product performance

The modular design of our pods facilitates a long product lifetime, and our customers typically use them for many years. The same pod can be used by one customer after another, enabling multiple life cycles and saving valuable resources. Thanks to their modular design, our pods are easy to disassemble, refurbish if needed, and reassemble at a new location. Our products are GREENGUARD Gold certified, and highly maintainable with easily available spare parts.



Transportation

Logistical hubs in Singapore and the USA reduces air freight, and allows us to load our shipping containers more tightly. The products are made-to-order, and their

modularity helps us achieve this with minimal impact.



Materials

To increase circularity, the pods contain mono-materials rather than composites for 100% recyclability. They also contain more recycled materials, including 20% recycled steel and aluminum, 29% recycled glass, and fabric featuring 80% recycled plastic. Framery will also be among the select few companies in the world pioneering the use of SSAB fossil-free steel in our products, starting as soon as the material becomes available in 2026.



Certificates and studies available

- Life Cycle Assessment (LCA)
- Environmental Product Declarations (EPD)
- Health Product Declarations (HPD) & Declare labels
- UL GREENGUARD Gold
- Contribution to Green Building Certifications such as LEED, BREEAM, SKA and WELL



Production and waste management

All our pods are manufactured in Tampere, Finland using zero-emission electricity. Our factory logistics are operated on biogas and renewable diesel. The material efficiency rate of our production was 94.9% in 2022. Virtually no waste goes to landfill.



Environmental impact

We have conducted life cycle assessment studies for our products to measure their environmental impacts. Alongside their

100% END OF LIFE RECYCLABILITY
*Framery One 95%



Framery smart pods / Colors and finishes

EXTERIORS

- White RAL 9016 Ultramatt
- Black RAL 9005 Ultramatt
- Gray S 7500 - N Ultramatt
- Navy S 7020 - R90B Ultramatt
- Sand S 2010 - Y20R Ultramatt
- Powder Blue 3421-R86B Ultramatt
- Winter Moss S 7010-G10Y Ultramatt
- Blush 2728-R01B Ultramatt

INTERIORS

- Pure Gray Tonal #60123 Gabriel
- Arctic Blue Tonal #66185 Gabriel
- Sand Tonal #61180 Gabriel
- Rouge Tonal #64210 Gabriel

CARPETS

- Light Gray Fletco carpets
- Dark Blue Fletco carpets
- Champagne Fletco carpets
- Grape Fletco carpets

TABLE TOPS

- White White laminate
- Black Black Laminate with anti-fingerprint surface
- Oak Veneer

CUSHIONS FOR FRAMERY FOUR

- Charcoal Capture #5501 Gabriel
- Latte Capture #3301 Gabriel

SEATING FABRICS

- Graphite Select #60051 Gabriel
- Dark Blue Select #66144 Gabriel
- Grape Select #61190 Gabriel
- Rose Select #65117 Gabriel
- Powder Blue Select #67098 Gabriel
- Beige Select #61184 Gabriel
- Green Select #68209 Gabriel
- Mustard Select #62098 Gabriel

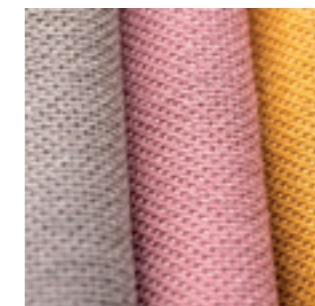
MATERIALS AND FINISHES



EXTERIOR PANELS made from steel feature a powder-coated matt finish. The lightweight panels are joined together seamlessly, with elegant curves that create a timeless design.



INTERIOR PANELS made from high-quality and recycled polyester have a vibrant and dynamic look thanks to the mix of the two-colored fabric.



SEATING MATERIALS are a blend of superior New Zealand wool and polyamid that form a soft and rich texture. The extremely durable fabrics are both dirt and water repellent.



CARPET FLOORING is anti-static, stain resistant, and durable, giving the pod an overall soft look and finish.

Design your own on our website



Technical specifications

FRAMERY ONE COMPACT

The smart and soundproof office phone booth

FRAMERY ONE

The smart and soundproof office pod

FRAMERY FOUR

The smart and soundproof office meeting pod

FRAMERY FOUR ACCESSIBLE

The smart and ADA compliant soundproof meeting pod

FRAMERY SIX

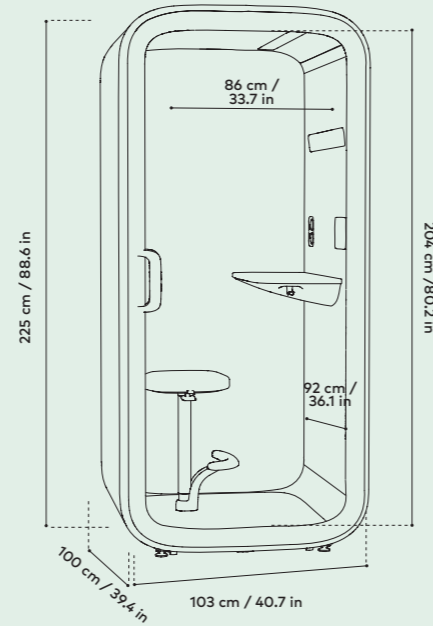
The smart and soundproof office meeting room

Framery One Compact / Technical specifications

OVERVIEW

Soundproofing	CLASS A 30 DS,A (dB) reduction Speech level reduction DS,A (dB) is measured using ISO 23351-1. Pod can be placed next to workspaces without compromising privacy
Sound masking	FRAMERY OFFICE SOUND MASKING SYSTEM™ A pre-fitted sound masking system improves the soundscape of the office outside the pods with an effective radius of 5 m / 16 ft
Ventilation	MAXIMUM AIRFLOW 36 l/s, 76 CFM (129.6 m³/h) DEFAULT AIRFLOW 26 l/s, 55 CFM (94 m³/h) when in use. After use, the pod refreshes itself with a higher ventilation speed. STANDBY MODE 16 l/s, 34 CFM, (58 m³/h)
Lighting	CEILING LIGHT Color temperature 4000K, illuminance up to 500lux on the table top. VIDEO LIGHT Color temperature 4000K, illuminance up to 400lux on the user's face. PRE-SET LIGHTING MODES Standard mode & Video call mode. Lighting can also be adjusted manually
Presence detection	SENSOR TECHNOLOGY mmWave radar
Dimensions	EXTERIOR 225 x 103 x 100 cm / 88.6 x 40.7 x 39.4 in (h,w,d) WITH CASTERS Additional 0.5 cm / 0.2 in (h) DOORWAY 204 x 85 cm / 80.2 x 33.5 in (h, w) WEIGHT 253 kg / 558 lb THRESHOLD 11.6 cm / 4.6 in (also with casters)
Connectivity	Framery smart pods gather anonymous occupancy data, measuring when and how often spaces are used. Users in the space cannot be identified and no personally identifiable data is collected. The anonymous data is transferred via built-in 4G connectivity, or through a Wi-Fi connection and compiled and shown in the Framery Connect platform. WLAN Wi-Fi 802.11 a/b/g/n/ac 2.4&5 GHz

DIMENSIONS / MAIN VIEW

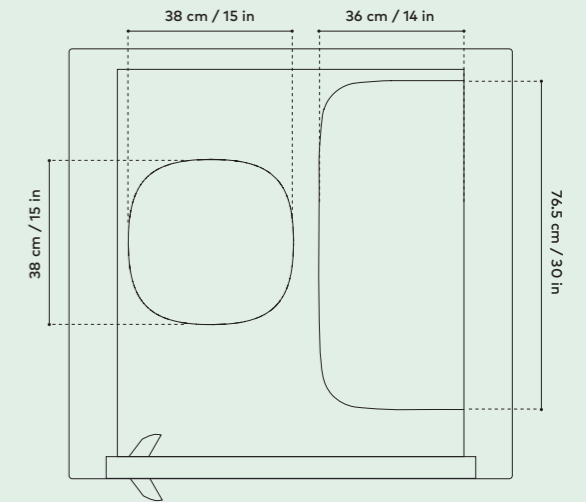


Framery One Compact / Technical specifications

MATERIALS

Exterior & structure	EXTERIOR PANELS Powder coated matt steel panels FRAMES Structure matt black aluminum DOOR FRAME Matt black aluminum and plastic structure GLASS Sound control laminated glass (4 + 4 mm / 0.16 + 0.16 in) CHASSIS Light steel and PET sound-absorbing structure HANDLE Mix of black plastic and steel
Interior materials	INTERIOR PANELS PET sheets laminated with recycled polyester fabric UPHOLSTERY FABRIC Gabriel Tonal CARPET Antistatic and stain resistant low loop pile carpet TABLE Table top is birch plywood laminated with white, black anti-fingerprint, or oak veneer. The table bottom is black thermoformed felt
Seating materials	UPHOLSTERY FABRIC Gabriel Select FABRIC COMPOSITION 85 % New Zealand wool / 15 % Polyamide LEG & FOOTREST Steel and aluminum
Furniture dimensions	TABLE SIZE 76.5 x 36 cm / 30 x 14 in (w, d) TABLE HEIGHT 102 cm / 40.2 in MAX LOAD FOR THE TABLE 50 kg / 110 lb SEAT SIZE 38 x 38 cm / 15 x 15 in (w, d) SEAT HEIGHT 59–85 cm / 23.2–33.5 in MAX LOAD FOR THE SEAT 135 kg / 300 lb

DIMENSIONS / TOP VIEW



SAFETY

Fire safety	No fire hazardous materials are used in Framery pods. The fire safety of all surface materials, upholstery and acoustics materials of our products are tested and classified by either national or international standards. Framery provides additional safety measurements to adhere to local regulatory requirements
Seismic safety	A seismic anchoring kit for a pod is available for the seismic regions. The kit consists of brackets that further reinforce the pod structure to withstand heavy seismic forces



Framery One Compact is UL GREENGUARD GOLD certified



ISO 9001 BUREAU VERITAS Certification



ISO 14001 BUREAU VERITAS Certification



ISO 14001 BUREAU VERITAS Certification



UL US

Framery One Compact shipped in North America is UL 962 listed

Framery One Compact / Technical specifications

POWER AND SPACE REQUIREMENTS

Power **OUTLETS** 1 x power outlet
Optional: 1 x power outlet, 1-2 x USB-C PD charge ports (65W) or 1 x LAN port (with cable)

POWER CONSUMPTION
Default settings 27W. Highest settings 40W. Standby mode 14W.

INPUT 100–240 VAC, 10 A*, 50–60 Hz

OUTPUT AC (POWER OUTLET)
100–240VAC, 6.6A, 50–60 Hz

OUTPUT USB-C PD CHARGE PORT 65W

*In India power outlet type 16A is used

Space requirements **DOOR OPENING RATIO 180°**

Door handedness Right-handed by default (can also be installed left-handed)

Operating space From back to front (pod depth + doorway) 185 cm / 72.9 in. Room height requirement 235 cm / 92.5 in. For seismic anchoring leave 50 cm / 19.7 in of free space outside of exterior panel walls. For sprinkler installation requirements leave 50 cm / 19.7 in of free space on the outside of the table wall

Installation space Installation requires 50 cm / 19.7 in of free space around the pod

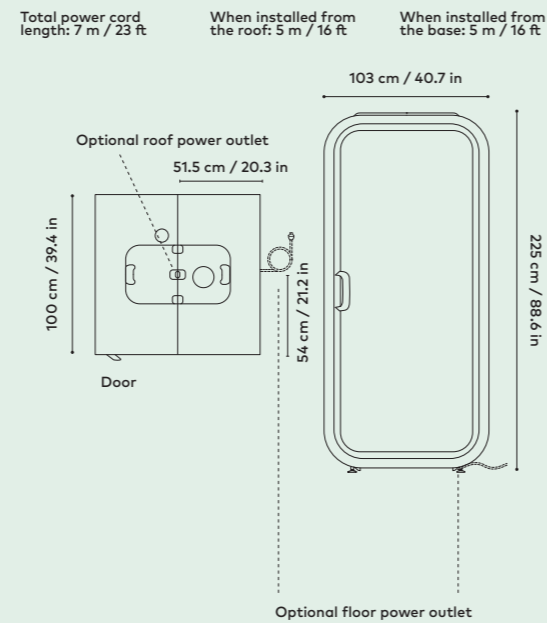
Movability Relocate the pod without the need for disassembly by adding casters (optional). Levelling guides must be lifted when moving the pod, and lowered when placed in position

SHIPPING CRATE

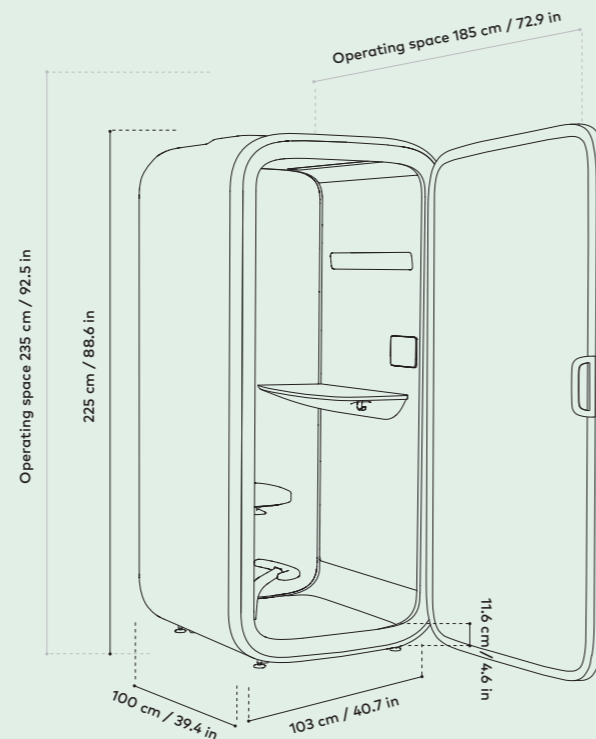
Dimensions 228.5 x 114.5 x 86.5 cm / 90 x 45.1 x 34.1 in

Weight 310 kg / 683 lb
Crates can be stacked (max 3 boxes)

DIMENSIONS / POWER CORD SPECIFICATIONS



DIMENSIONS / OPERATING SPACE



Framery One / Technical specifications

OVERVIEW

Soundproofing **CLASS A 30 DS,A (dB) reduction**
Speech level reduction DS,A (dB) is measured using ISO 23351-1. Pod can be placed next to workspaces without compromising privacy.

Ventilation **DEFAULT AIRFLOW 26 l/s, 55 CFM (94 m³/h).** Airflow can be adjusted manually. After use, the pod refreshes itself with a higher ventilation speed.
STANDBY MODE 7 l/s, 15 CFM, (25 m³/h)

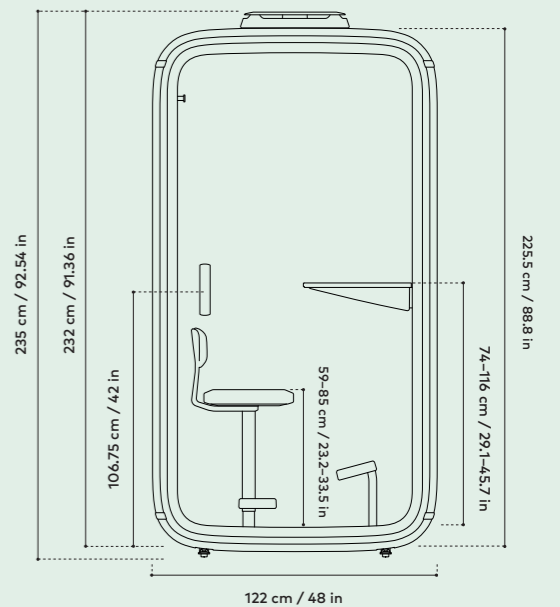
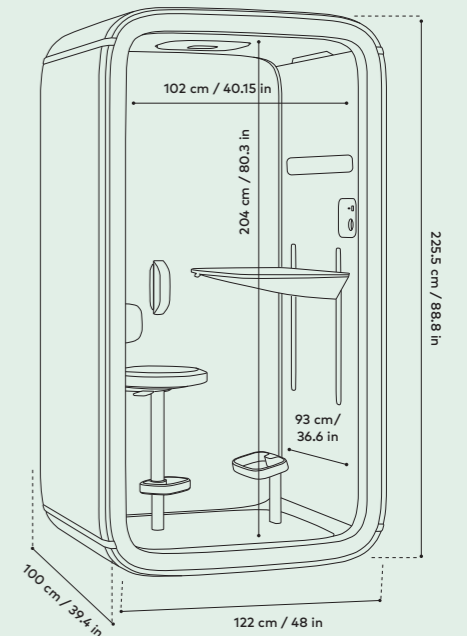
Lighting **CEILING LIGHT** Color temperature 4000 K, illuminance up to 500 lux on the tabletop. **VIDEO LIGHT** Color temperature 4000 K, illuminance up to 400 lux on the user's face. **PRE-SET LIGHTING MODES** Standard mode & Video call mode. Lighting can also be adjusted manually.

Presence detection **SENSOR TECHNOLOGY** Time-of-flight sensor

Dimensions **EXTERIOR 225.5 x 122 x 100 cm / 88.8 x 48 x 39.4 in (h, w, d)**
WITH CASTERS Additional 3 cm / 1.18 in (h)
WITH AIR FILTER additional 6.5 cm / 2.56 in (h)
DOORWAY 204 x 101.5 cm / 80.3 x 40 in (h, w)
WEIGHT 357 kg / 787 lb
THRESHOLD 11 cm / 4.35 in (with casters 12.3 cm / 4.85 in)

Connectivity Framery smart pods gather anonymous occupancy data, measuring when and how often spaces are used. Users in the space cannot be identified and no personally identifiable data is collected. The anonymous data is transferred via built-in 4G connectivity, and compiled and shown in the Framery Connect platform.

DIMENSIONS / MAIN VIEW



Framery One shipped in North America is UL 962 listed

Framery One / Technical specifications

MATERIALS

Exterior & structure

EXTERIOR PANELS Powder coated matt steel panels
FRAMES Structure matt black frames made from steel & aluminum
DOOR FRAME Matt black composite structure
GLASS Sound control laminated glass (4 + 4 mm / 0.16 + 0.16 in)
CHASSIS A sandwich element chassis, made of sheet metal & recycled acoustic foam
HANDLE Black cast aluminum

Interior materials

INTERIOR PANELS PET sheets which are laminated with recycled polyester fabric
UPHOLSTERY FABRIC Gabriel Tonal
CARPET Antistatic and stain resistant low loop pile carpet
TABLE Table top is birch plywood laminated with white, black anti-fingerprint, or oak veneer. The table bottom is black thermoformed felt

Seating materials

UPHOLSTERY FABRIC Gabriel Select
FABRIC COMPOSITION 85 % New Zealand wool / 15 % Polyamide
STOOL & FOOTREST Steel, aluminum & plastic

Furniture dimensions

TABLE SIZE 76.5 × 46 cm / 30.1 × 18 in (w, d)
TABLE HEIGHT 74–116 cm / 29.1–45.7 in
MAX LOAD FOR THE TABLE 50 kg / 110 lb
SEAT SIZE 38 × 38 cm / 15 × 15 in (w, d)
SEAT HEIGHT 59–85 cm / 23.2–33.5 in
MAX LOAD FOR THE SEAT 135 kg / 300 lb

SAFETY

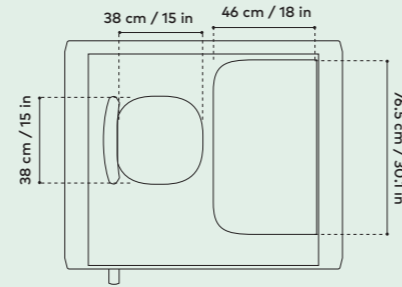
Fire safety

No fire hazardous materials are used in Framery pods. The fire safety of all surface materials, upholstery and acoustics materials of our products are tested and classified by either national or international standards. Framery provides additional safety measurements to adhere to local regulatory requirements

Seismic safety

A seismic anchoring kit for a pod is available for the seismic regions. The kit consists of brackets that further reinforce the pod structure to withstand heavy seismic forces

DIMENSIONS / TOP VIEW



Framery One / Technical specifications

POWER AND SPACE REQUIREMENTS

Power

OUTLETS 1 × power outlet, 1 × USB-C charge port (15W)
 Optional: 1 × LAN port (with cable)

POWER CONSUMPTION
 Default settings 28W. Highest settings 37W
 Standby mode 6W

INPUT 100–240 VAC, 10 A*, 50–60 Hz

OUTPUT AC (POWER OUTLET)
 100–240VAC, 6.6A, 50–60 Hz

OUTPUT USB-C CHARGE PORT 15W

*In India power outlet type 16A is used

Space requirements

DOOR OPENING RATIO 90°

Door handedness

Right-handed by default
 (can also be installed left-handed)

Operating space

From back to front (pod depth + doorway): 201.5 cm / 79.4 in. Room height requirement: 240 cm / 94.5 in. For seismic anchoring or sprinklers leave 50 cm / 19.7 in of free space around the sides of the pod. The pod can be anchored next to the wall with optional casters

Installation space

Installation requires 50 cm / 19.7 in of free space around the pod

Movability

Relocate the pod without the need for disassembly by adding casters (optional). Levelling guides must be lifted when moving the pod, and lowered when placed in position

SHIPPING CRATE

Dimensions

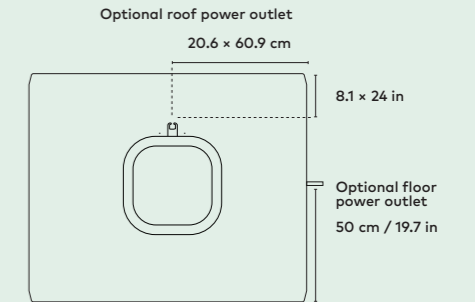
229 × 131 × 88 cm / 90.15 × 51.6 × 34.6 in

Weight

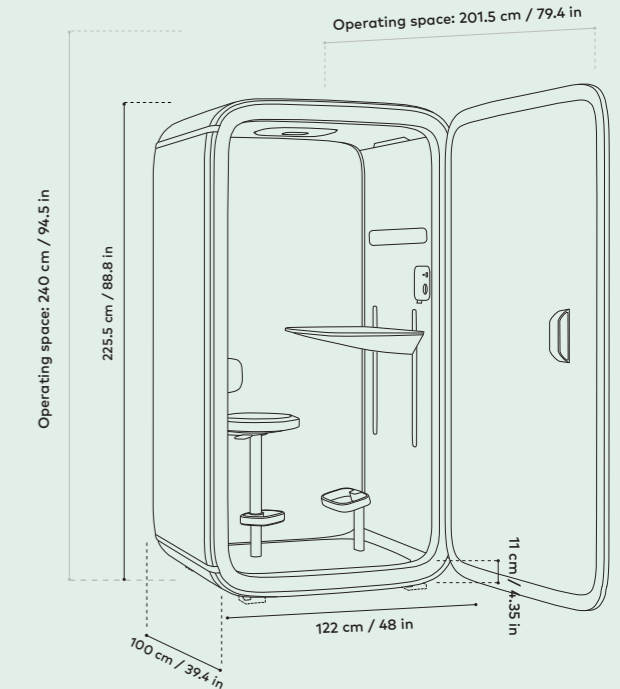
430 kg / 948 lb
 Crates can be stacked (max 3 boxes)

DIMENSIONS / POWER CORD SPECIFICATIONS

Total power cord length: 5 m / 16 ft
 Installed from the roof: 3 m / 9 ft
 Installed from the base: 4.5 m / 14 ft



DIMENSIONS / OPERATING SPACE

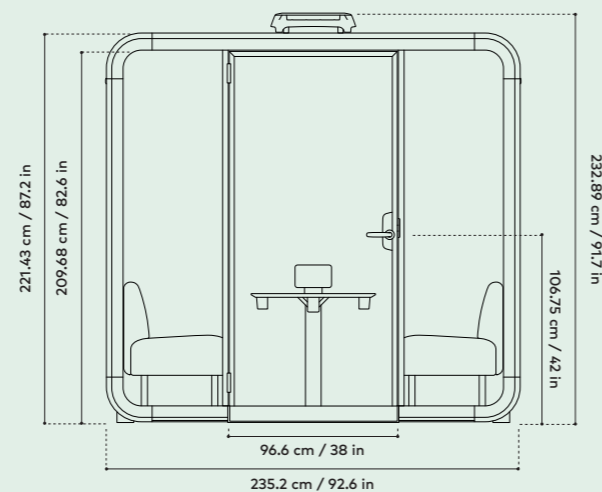
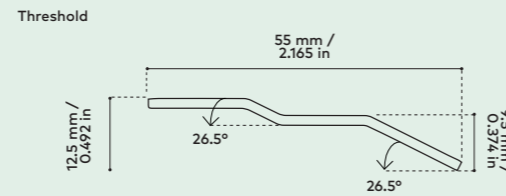
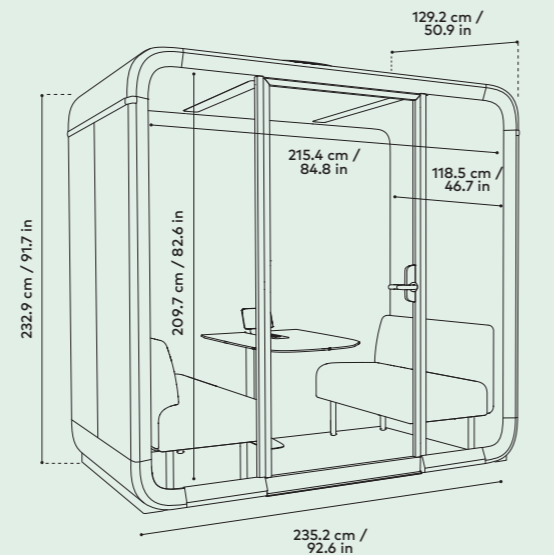


Framery Four / Technical specifications

OVERVIEW

Soundproofing	CLASS A 30 DS,A (dB) reduction Speech level reduction DS,A (dB) is measured using ISO 23351-1. Pod can be placed next to workspaces without compromising privacy
Sound masking	FRAMERY OFFICE SOUND MASKING SYSTEM™ A pre-fitted sound masking system improves the soundscape of the office outside the pods with an effective radius of 5 m / 16 ft
Ventilation	MAXIMUM AIRFLOW 100 l/s, 212 CFM (360.2 m³/h) DEFAULT AIRFLOW 78 l/s, 165 CFM (280 m³/h) when in use. After use, the pod refreshes itself with a higher ventilation speed. STANDBY MODE 40 l/s, 85 CFM, (144 m³/h) ADJUSTABLE DIRECTIONAL AIRFLOW Choose between direct and indirect airflow
Lighting	CEILING LIGHT Color temperature 4000K, illuminance up to 500lux on the table top. VIDEO LIGHT Color temperature 4000K, illuminance up to 350lux on the user's face. PRE-SET LIGHTING MODES Standard mode & Video call mode. Lighting can also be adjusted also manually
Presence detection	SENSOR TECHNOLOGY mmWave radar
Dimensions	EXTERIOR with air filter housing 232.9 × 235.2 × 129.2 cm / 91.7 × 92.6 × 50.9 in (h, w, d) DOORWAY 209.7 × 96.6 cm / 82.6 × 38 in (h, w) WEIGHT 520 kg / 1146.4 lb (Framery Four Base 460 kg / 208.7 lb) THRESHOLD 1.25 cm / 0.5 in
Touchscreen location	On the table (Framery Four Base: on the wall, right side)
Connectivity	Framery smart pods gather anonymous occupancy data, measuring when and how often spaces are used. Users in the space cannot be identified and no personally identifiable data is collected. The anonymous data is transferred via built-in 4G connectivity, or through a Wi-Fi connection and compiled and shown in the Framery Connect platform. WLAN Wi-Fi 802.11 a/b/g/n/ac 2.4&5 GHz

DIMENSIONS / MAIN VIEW

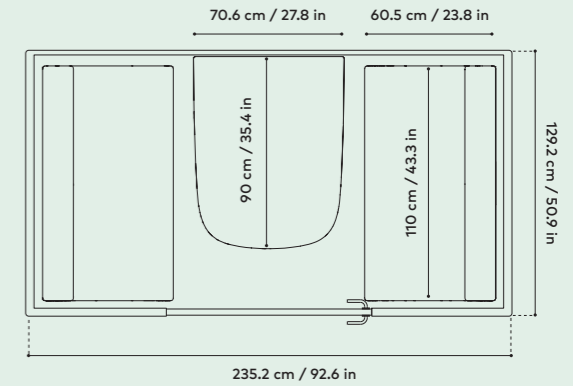


Framery Four / Technical specifications

MATERIALS

Exterior & structure	EXTERIOR PANELS Powder coated matt steel panels. FRAMES Structure matt black aluminum DOOR FRAME Structure matt black aluminum GLASS Sound control laminated glass (4 + 4 mm / 0.16 + 0.16 in) CHASSIS Light steel and PET sound-absorbing structure HANDLE Custom-designed black metal
Interior materials	INTERIOR PANELS PET sheets laminated with recycled polyester fabric UPHOLSTERY FABRIC Gabriel Tonal CARPET Antistatic and stain resistant low loop pile carpet CUSHIONS Gabriel Capture TABLE Table top is birch plywood laminated with white, black anti-fingerprint, or oak veneer TABLE LEG Structure black metal
Seating materials	UPHOLSTERY FABRIC Gabriel Select FABRIC COMPOSITION 85 % New Zealand wool / 15 % Polyamide
Furniture dimensions	TABLE 70.6 cm × 90 cm / 27.8 × 35.4 in (w, d) Fixed height from floor 71.9 cm / 28.3 in MAX LOAD FOR THE TABLE 60 kg / 131 lb SOFA 110 × 60.5 cm (w, d) / 43.3 in × 23.8 in. Fixed seating height from floor 47 cm / 18.5 in (backrest height cm 78,5 / 30.9 in) MAX LOAD FOR SOFA 408 kg / 900 lb
Optional accessories	MONITOR ARM Rotating monitor arm with VESA mounting bracket. Monitor not included. Compatible with 24" - 27" monitors (max 15 kg / 33 lb) with a flat 75 x 75 mm or 100 x 100 mm center-positioned VESA mounting surface. COAT HOOKS Structure black metal CUSHIONS Gabriel Capture – 85 % New Zealand wool / 15 % Polyamide EXTERIOR TABLET MOUNT With easy set-up

DIMENSIONS / TOP VIEW



SAFETY

Fire safety	No fire hazardous materials are used in Framery pods. The fire safety of all surface materials, upholstery and acoustics materials of our products are tested and classified by either national or international standards. Framery provides additional safety measurements to adhere to local regulatory requirements
Seismic safety	A seismic anchoring kit for a pod is available for the seismic regions. The kit consists of brackets that further reinforce the pod structure to withstand heavy seismic forces



Framery Four shipped in North America is UL 962 listed

Framery Four / Technical specifications

POWER AND SPACE REQUIREMENTS

Power

FRAMERY FOUR ESSENTIALS OUTLETS
4 x under-table power outlets, 2 x USB-C PD charge ports (65 W). Optional: 2 x under-table power outlets (included with the monitor arm). Optional in-table outlets (max. 2): 0-1 x HDMI port, 0-2 x LAN ports (with cables)

FRAMERY FOUR LITE OUTLETS
4 x under-table power outlets. Optional: 2 x under-table power outlets (included with the monitor arm). Optional in-table outlets (max 4): 0-2 x USB-C PD charge ports (65 W), 0-1 x HDMI port, 0-4 x LAN ports (with cables)

FRAMERY FOUR BASE OUTLETS
4 x power outlets (2 x power outlets on each side of the pod). Optional outlets (max 4): 0-2 x USB-C PD charge ports (65 W), 0-4 x LAN ports (with cables)

The location of power outlets may vary based on country regulations.

POWER CONSUMPTION Default settings 52W. Highest settings 115W. Standby mode 20W. **INPUT** 100-240 VAC, 10 A*, 50-60 Hz. **OUTPUT AC (POWER OUTLET)** 100-240 VAC (8 A max) 50-60 Hz. **OUTPUT USB-C PD CHARGE PORT** 65W

*In India power outlet type 16A is used

Space requirements

DOOR OPENING RATIO 180°

Door handedness Left-handed by default (can also be installed right-handed)

Operating space From back to front (pod depth + doorway) 225.8 cm / 88.9 in. Room height requirement 238 cm / 93.7 in

Installation space Installation requires 50 cm / 19.7 in of free space around the pod. Room height requirement 238 cm / 93.7 in.

Movability Relocate the pod without the need for disassembly by adding casters with a movability kit. Compatible with Framery Four and Six. The kit is reusable. Multiple pods can be moved with one kit

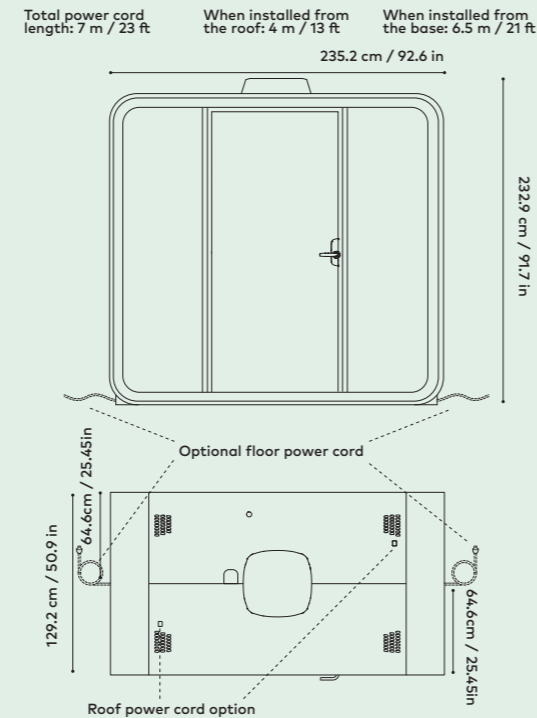
SHIPPING CRATE DIMENSIONS

Crate 1 **SIZE** 226 x 75 x 138 cm / 90 x 29.5 x 54.3 in (l, w, h). **WEIGHT** 180-238kg / 396-524 lb

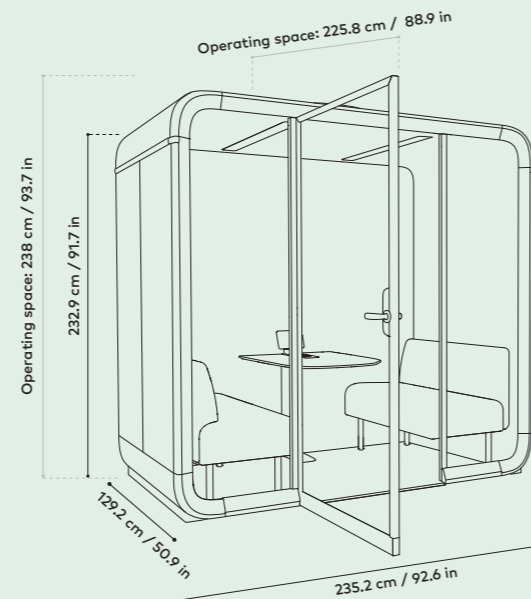
Crate 2 **SIZE** 224 x 74 x 114 cm / 88.2 x 29.1 x 44.9 in (l, w, h). **WEIGHT** 395 kg / 870.8 lb

Crate 1 is stacked on top of Crate 2

DIMENSIONS / POWER CORD SPECIFICATIONS



DIMENSIONS / OPERATING SPACE



Framery Four Accessible / Technical specifications

OVERVIEW

Soundproofing **CLASS A 30 DS,A (dB) reduction**
Speech level reduction DS,A (dB) is measured using ISO 23351-1. Pod can be placed next to workspaces without compromising privacy

Sound masking **FRAMERY OFFICE SOUND MASKING SYSTEM™** A pre-fitted sound masking system improves the soundscape of the office outside the pods with an effective radius of 5 m / 16 ft

Ventilation **MAXIMUM AIRFLOW** 100 l/s, 212 CFM (360.2 m³/h)
DEFAULT AIRFLOW 78 l/s, 165 CFM (280 m³/h) when in use. After use, the pod refreshes itself with a higher ventilation speed.
STANDBY MODE 40 l/s, 85 CFM, (144 m³/h)
ADJUSTABLE DIRECTIONAL AIRFLOW Choose between direct and indirect airflow

Lighting **CEILING LIGHT** Color temperature 4000K, illuminance up to 500lux on the table top.
VIDEO LIGHT Color temperature 4000K, illuminance up to 350lux on the user's face.
PRE-SET LIGHTING MODES Standard mode & Video call mode. Lighting can also be adjusted also manually

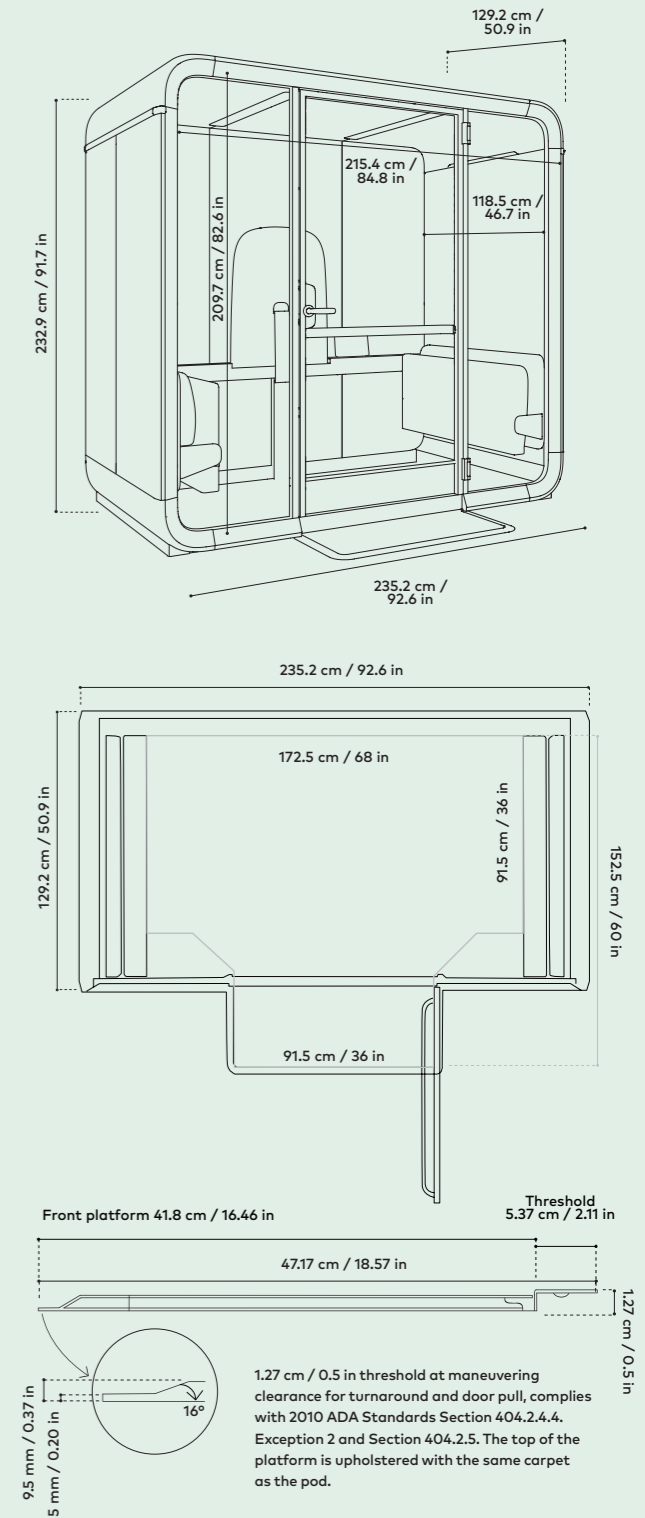
Presence detection **SENSOR TECHNOLOGY** mmWave radar

Dimensions **EXTERIOR WITH AIR FILTER HOUSING** 232.9 x 235.2 x 129.2 cm / 91.7 x 92.6 x 50.9 in (h, w, d)
DOORWAY 209.7 x 96.6 cm / 82.6 x 38 in (h, w)
WEIGHT 560 kg / 1234.6 lb.
THRESHOLD 1.27 cm / 0.5 in

Touchscreen location On the right side of the table, on the accessory rail

Connectivity Framery smart pods gather anonymous occupancy data, measuring when and how often spaces are used. Users in the space cannot be identified and no personally identifiable data is collected. The anonymous data is transferred via built-in 4G connectivity, or through a Wi-Fi connection and compiled and shown in the Framery Connect platform.
WLAN Wi-Fi 802.11 a/b/g/n/ac 2.4&5 GHz

DIMENSIONS / MAIN VIEW

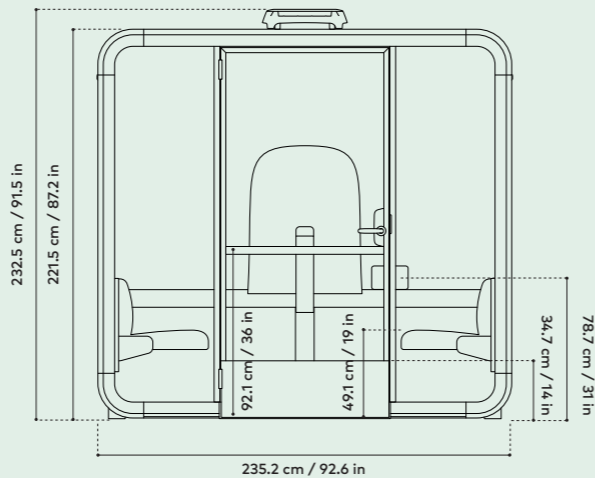
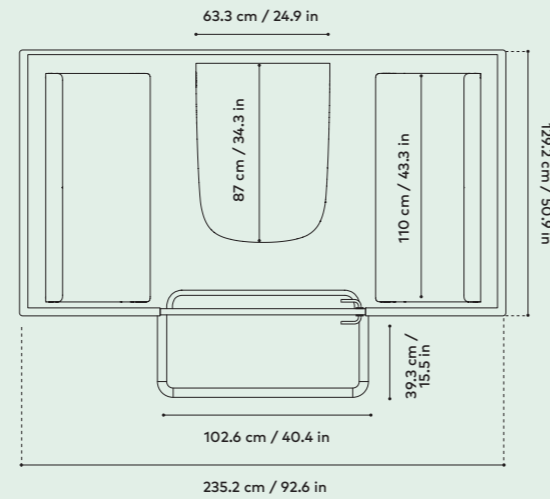


Framery Four Accessible / Technical specifications

MATERIALS

Exterior & structure	<p>EXTERIOR PANELS Powder coated matt steel panels</p> <p>FRAMES Structure matt black aluminum</p> <p>DOOR FRAME Structure matt black aluminum</p> <p>GLASS Sound control laminated glass (4 + 4 mm / 0.16 + 0.16 in)</p> <p>CHASSIS Light steel and PET soundabsorbing structure</p> <p>HANDLE AND PULL BAR Custom-designed black metal</p> <p>DOOR KICK PLATES Black metal</p>
Interior materials	<p>INTERIOR PANELS PET sheets laminated with recycled polyester fabric</p> <p>UPHOLSTERY FABRIC Gabriel Tonal</p> <p>CARPET Antistatic and stain resistant low loop pile carpet</p> <p>TABLE TOP is birch plywood laminated with white, black anti-fingerprint, or oak veneer.</p> <p>TABLE LEG AND ACCESSORY RAIL Structure black metal</p>
Seating materials	<p>UPHOLSTERY FABRIC Gabriel Select</p> <p>FABRIC COMPOSITION 85 % New Zealand wool / 15 % Polyamide</p>
Furniture dimensions	<p>FOLDING TABLE 63.3 x 87 cm / 24.9 x 34.3 in (w, d). Fixed height from floor 71.9 cm / 28.3 in. Forces: max 22.2N</p> <p>FOLDING SOFA width 110 cm / in. Fixed seating height from floor 48.5 cm / 19 in. Max load for the sofa: 408 kg / 900 lb.</p> <p>PULL BAR Height from pod floor: 92.1 cm / 36.3 in</p>
Optional accessories	<p>COAT HOOKS Structure black metal</p> <p>EXTERIOR TABLET MOUNT With easy set-up</p>

DIMENSIONS / TOP VIEW



SAFETY

Fire safety	No fire hazardous materials are used in Framery pods. The fire safety of all surface materials, upholstery and acoustics materials of our products are tested and classified by either national or international standards. Framery provides additional safety measurements to adhere to local regulatory requirements
Seismic safety	A seismic anchoring kit for a pod is available for the seismic regions. The kit consists of brackets that further reinforce the pod structure to withstand heavy seismic forces

Framery Four Accessible / Technical specifications

POWER AND SPACE REQUIREMENTS

Power	<p>FRAMERY FOUR ACCESSIBLE OUTLETS 4 x power outlets (2 on both sides of the table attached to the accessory rail). Optional additional outlets (max 4): 0-2 x USB-C PD charge ports (65 W), 0-4 x LAN ports (with cables)</p> <p>POWER CONSUMPTION Default settings 52W. Highest settings 115W. Standby mode 20W.</p> <p>INPUT 100-240 VAC, 10 A*, 50-60 Hz</p> <p>OUTPUT AC (POWER OUTLET) 100-240 VAC (8 A max) 50-60 Hz</p> <p>OUTPUT USB-C PD CHARGE PORT 65W</p> <p><small>*In India power outlet type 16A is used</small></p>
Space requirements	DOOR OPENING RATIO 180°
Door handedness	Left-handed
Operating space	From back to front (pod depth + doorway) 225.8 cm / 88.9 in. Room height requirement 238 cm / 93.7 in
Installation space	Installation requires 50 cm / 19.7 in of free space around the pod. Room height requirement 238 cm / 93.7 in.
Movability	Relocate the pod without the need for disassembly by adding casters with a movability kit. Compatible with Framery Four and Six. The kit is reusable. Multiple pods can be moved with one kit

SHIPPING CRATE DIMENSIONS

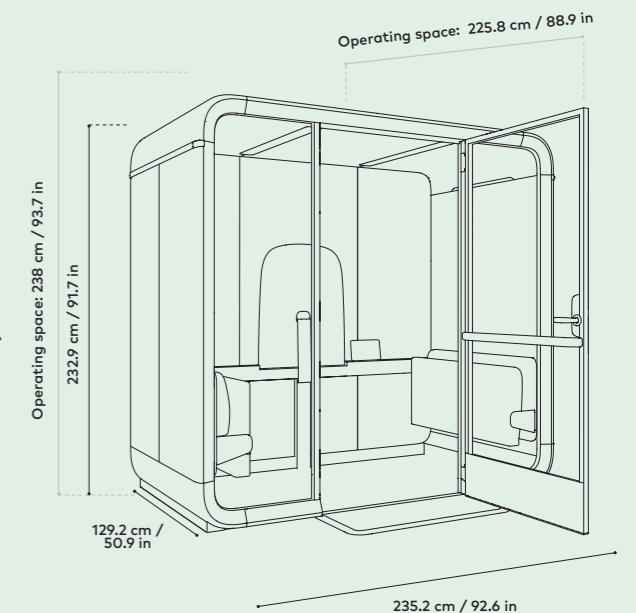
Crate 1	SIZE 226 x 75 x 138 cm / 90 x 29.5 x 54.3 in (l, w, h) WEIGHT 278 kg / 612.9 lb
Crate 2	SIZE 224 x 74 x 114 cm / 88.2 x 29.1 x 44.9 in (l, w, h). WEIGHT 395 kg / 870.8 lb

Crate 1 is stacked on top of Crate 2

DIMENSIONS / POWER CORD SPECIFICATIONS



DIMENSIONS / OPERATING SPACE

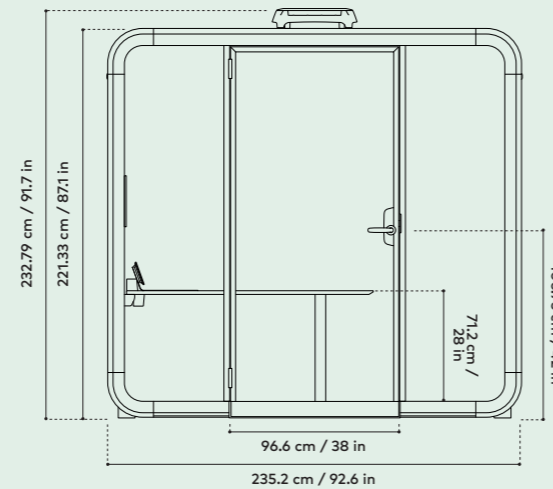
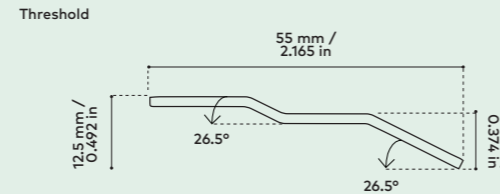
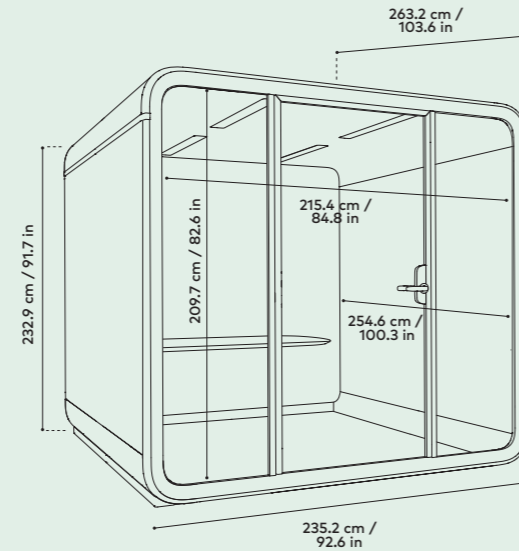


Framery Six / Technical specifications

OVERVIEW

Soundproofing	CLASS A 30 DS,A (dB) reduction Speech level reduction DS,A (dB) is measured using ISO 23351-1. Pod can be placed next to workspaces without compromising privacy
Sound masking	FRAMERY OFFICE SOUND MASKING SYSTEM™ A pre-fitted sound masking system improves the soundscape of the office outside the pods with an effective radius of 5 m / 16 ft
Ventilation	MAXIMUM AIRFLOW 187 l/s, 397 CFM (674.6 m³/h) DEFAULT AIRFLOW 149 l/s, 316 CFM (536 m³/h) when in use. After use, the pod refreshes itself with a higher ventilation speed. ON STANDBY MODE 76 l/s, 161 CFM (274 m³/h) ADJUSTABLE DIRECTIONAL AIRFLOW Choose between direct and indirect airflow
Lighting	CEILING LIGHT Color temperature 4000K, illuminance up to 500lux on the table top. VIDEO LIGHT Color temperature 4000K, illuminance up to 350lux on the user's face. PRE-SET LIGHTING MODES Standard mode & Video call mode. The lighting can also be adjusted manually
Presence detection	SENSOR TECHNOLOGY mmWave radar
Dimensions	EXTERIOR with air filter housing 232.9 × 235.2 × 263.2 cm / 91.7 × 92.6 × 103.6 in (h, w, d) DOORWAY 209.7 × 96.6 cm / 82.6 × 38 in (h, w) WEIGHT 718 kg / 1582.9 lb (Framery Six Base 693 kg / 1527.8 lb) THRESHOLD 1.25 cm / 0.5 in
Touchscreen location	On the table (Framery Six Base: on the wall)
Connectivity	Framery smart pods gather anonymous occupancy data, measuring when and how often spaces are used. Users in the space cannot be identified and no personally identifiable data is collected. The anonymous data is transferred via built-in 4G connectivity, or through a Wi-Fi connection and compiled and shown in the Framery Connect platform. WLAN Wi-Fi 802.11 a/b/g/n/ac 2.4&5 GHz

DIMENSIONS / MAIN VIEW

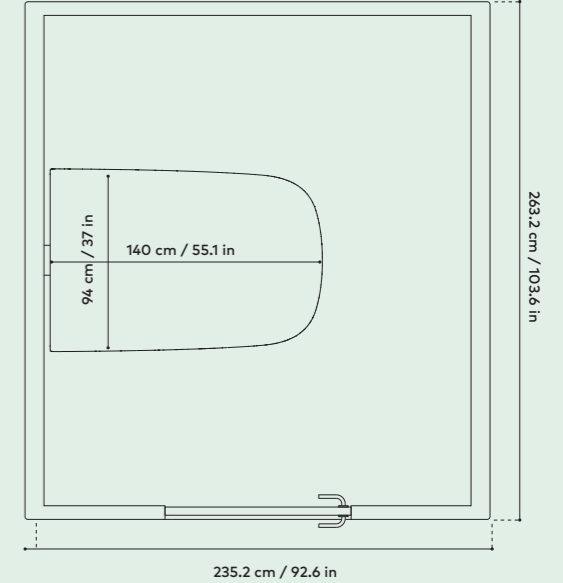


Framery Six / Technical specifications

MATERIALS

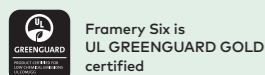
Exterior & structure	EXTERIOR PANELS Powder coated matt steel panels FRAMES Structure matt black aluminum. DOOR FRAME Structure matt black aluminum GLASS Sound control laminated glass (4 + 4 mm / 0.16 + 0.16 in) CHASSIS Light steel and PET sound-absorbing structure HANDLE Custom designed black metal
Interior materials	INTERIOR PANELS PET sheets laminated with recycled polyester fabric UPHOLSTERY FABRIC Gabriel Tonal CARPET Antistatic and stain resistant low loop pile carpet. TABLE Table top is birch plywood laminated with white, black anti-fingerprint, or oak veneer. TABLE LEG Structure black metal
Furniture dimensions	TABLE 94 cm × 140 cm / 37 in × 55.1 in (w, d) Fixed height from floor 71.2 cm / 28 in MAX LOAD FOR THE TABLE 60 kg / 131 lb
Optional accessories	INTERIOR WHITEBOARD 102.3 × 206.3 cm / 40.3 × 81.2 in (h, w) MONITOR WALL MOUNT Maximum monitor size 50". Maximum weight 30 kg / 66 lbs with flat VESA 100 × 100, 200 × 100, 200 × 200, 300 × 200, 300 × 300, 400 × 200, 400 × 300 or 400 × 400 mounting surface. Monitor not included. Possibility to mount on both walls. COAT HOOKS Structure black metal EXTERIOR TABLET MOUNT With easy set-up. GATHER ZONE Includes the same whiteboard and monitor wall mount as interior, and additional exterior carpet

DIMENSIONS / TOP VIEW



SAFETY

Fire safety	No fire hazardous materials are used in Framery pods. The fire safety of all surface materials, upholstery and acoustics materials of our products are tested and classified by either national or international standards. Framery provides additional safety measurements to adhere to local regulatory requirements
Seismic safety	A seismic anchoring kit for a pod is available for the seismic regions. The kit consists of brackets that further reinforce the pod structure to withstand heavy seismic forces



Framery Six shipped in North America is UL 962 listed

Framery Six / Technical specifications

POWER

Power

FRAMERY SIX ESSENTIALS OUTLETS

2 x on-table outlets, 2 x under-table power outlets, 2 x in-table USB-C PD charge ports (65 W). Optional 2 x under-table power outlets. Optional in-table outlets (max 2) 0-1 x HDMI port, 0-2 x LAN ports (with cables)

FRAMERY SIX LITE OUTLETS 2 x on-table power outlets, 2 x under-table power outlets. Optional 2 x under-table power outlets. Optional in-table outlets (max 4) 0-2 x USB-C PD charge ports (65 W), 0-1 x HDMI port, 0-4 x LAN ports (with cables)

FRAMERY SIX BASE OUTLETS 4 x power outlets on the same side of the pod as the touchscreen. Optional outlets (max 4): 0-2 x USB-C PD charge ports (65 W), 0-4 x LAN ports (with cables)

The location of power outlets may vary based on country regulations.

POWER CONSUMPTION Default settings 145W. Highest settings 202W. Standby mode 28W

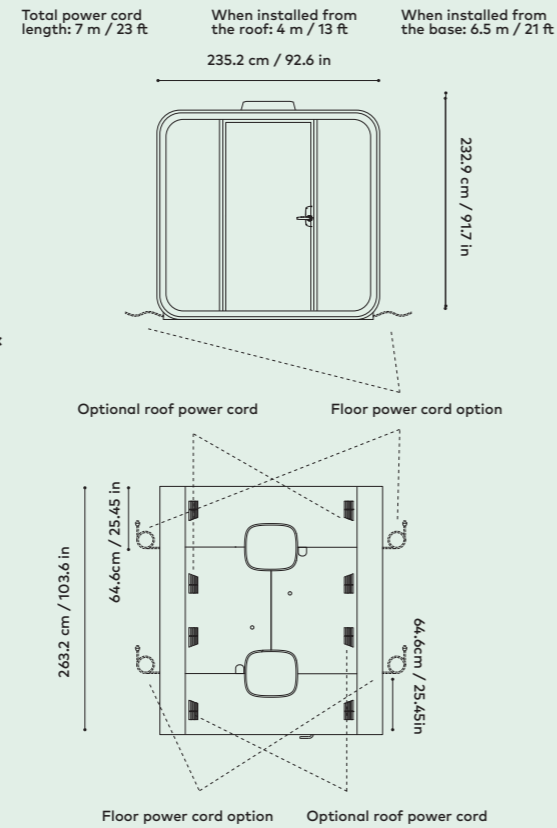
INPUT 100-240 VAC, 10 A*, 50-60 Hz

OUTPUT AC (POWER OUTLET) 100-40 VAC (8 A max) 50-60 Hz

OUTPUT USB-C PD CHARGE PORT 65W

*In India power outlet type 16A is used

DIMENSIONS / POWER CORD SPECIFICATIONS



Framery Six / Technical specifications

SPACE REQUIREMENTS

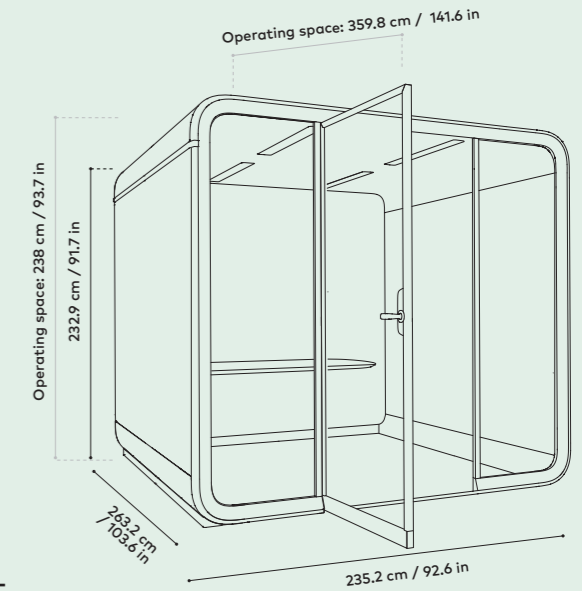
Space requirements	DOOR OPENING RATIO 180°
Door handedness	Left-handed by default (can also be installed right-handed)
Operating space	From back to front (pod depth + doorway) 359.8 cm / 141.6 in. Room height requirement 238 cm / 93.7 in
Installation space	Installation requires 50 cm / 19.7 in of free space around the pod. Room height requirement 238 cm / 93.7 in.
Movability	Relocate the pod without the need for disassembly by adding casters with a movability kit. Compatible with Framery Four and Six. The kit is reusable. Multiple pods can be moved with one kit

SHIPPING CRATE DIMENSIONS

Crate 1	SIZE 222 x 89 x 149 cm / 87.4 x 35 x 58.7 in (l, w, h). WEIGHT 392 kg / 864 lb
Crate 2	SIZE 224 x 113 x 116 cm / 88.2 x 44.5 x 46.7 in (l, w, h). WEIGHT 505 kg / 1113 lb

Crate 1 is stacked on top of Crate 2

DIMENSIONS / OPERATING SPACE



Product safety

Framery's management system has been certified according to the ISO 9001 Quality Management System standard, ISO 14001 Environmental Management System standard, and ISO 45001 Occupational Health and Safety Management System standard. CE marking is a manufacturer's declaration that a product meets the requirements of relevant EC directives. The EC directives for Framery One Compact, One, Four and Six are: Low Voltage Directive (LVD) 2014/35/EU, Electromagnetic Compatibility Directive (EMC) 2014/30/EU, Restriction of Hazardous Substances (RoHS) Directive 2011/65/ EU, Ecodesign Directive 2009/125/EC and the Radio Equipment Directive (RED) 2014/53/EU. All Framery products are also UL listed for US & Canadian markets.

Acoustics

Phone booths and meeting pods can be used to eliminate distractions and increase productivity in the workplace, but this is only achieved if they are actively used. To reach their full potential, pods must be placed close enough to their users. This creates certain requirements especially in terms of sound insulation. The required level of sound insulation for pods, expressed in practical terms, is that they can be placed right next to workstations in an office and people working outside them will not be able to overhear discussions inside. This is especially important in the case of on-demand use of single-person pods.

ISO 23351-1 is a standard that can be used to measure the level of pods' sound insulation as a whole and to produce a single figure, called speech level reduction, which describes the degree of provided speech privacy. A speech level reduction of 30 dB corresponds with the practical requirement of sound insulation mentioned above. With a lower level of sound insulation, pods should be placed further away from people working outside them.

In addition to sound insulation, interior acoustics of pods are another factor to take into consideration. Poor interior acoustics make it difficult to hear what is said during phone calls and meetings. This also causes users to raise their voices, which creates another problem in terms of privacy.

Reverberation time is typically used to describe the interior acoustics of a space. Unfortunately, it's not possible to reliably test reverberation time in pods because of their small size. However, the surface area and thickness of absorptive materials inside a pod are good indicators of its acoustics. Also, as with sound insulation, it is important to test pods in practice and make sure that speech sounds natural inside them.

Framery One, One Compact, Four and Six

FIRE SAFETY No fire hazardous materials are used in Framery products. The fire safety of all surface materials, upholstery and acoustics materials of our products are tested and classified by either national or international standards. The sheet metal exteriors and sound-control laminated glass are of such quality that they may halt heat and fire. Acoustic felt fibers we use meet B-s1, d0, EN 13501-1; acoustic panels B-s2, d0, EN 13501-1 and floor carpet Bfl-s1, EN 13501-1 requirements. Interior panels in Framery products meet ASTM E84: Class A. Seat materials used in the seating provided by Framery meet

CA TB 117:2013 requirements. Fabric used in upholstery meets the performance requirements of EN 1021-1 and 1 021-2.

MATERIAL SAFETY All Framery products are certified against UL GreenGuard. Framery One Compact, One, Four and Six have achieved the highest possible GreenGuard Gold certification level. We want to embrace transparency of the materials we use for our products and thus we will have Health Product Declarations® (HPD) and Declare labels available for our products. Our HPDs can be found and downloaded for free online from the Health Product Declaration Collaborative public repository and Declare labels can be found from International Living Future Institutes Declare label product library.

For more Framery product information
visit us online at framery.com

Framery is the industry
pioneer and global
leader in engineering and
manufacturing soundproof
pods, services and solutions
that enable people at work
to connect, and focus on
what really matters.

framery